

5MP, TRUE DAY/NIGHT, WDR, IR BULLET



Varifocal Lens Bullet

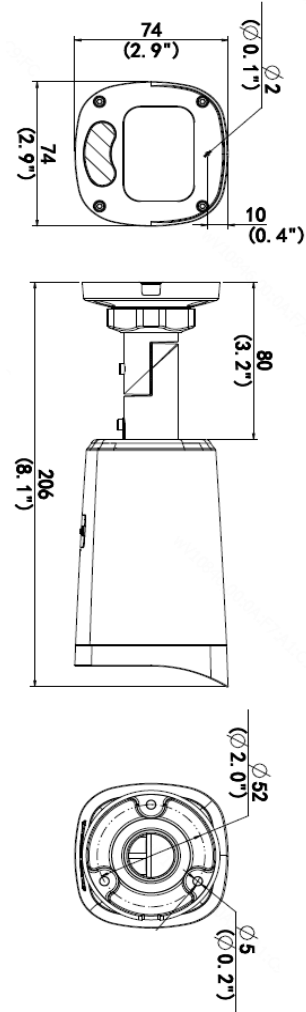
IPB5E212MX

- > Fully Adheres to National Defense Authorization Act (NDAA) Guidelines
- > Exceptional Video Quality with 5MP, 2880 x 1620 Resolution
- > Super-Efficient H.265 Video Compression for Drastically Reduced Bandwidth and Storage Requirements
- > Powerful, Smart IR LED Lights for 0Lux Night Time Operation up to 164 Feet
- > 2.8 ~ 12mm motorized varifocal, automatic focus lens
- > TRUE Day/Night and WDR functionality for all Lighting Conditions
- > One way Audio w/ built in microphone, Corridor Mode, Backlight Compensation, 3D DNR (Digital Noise Reduction)
- > ONVIF Profile S Compliant, PoE & 12VDC Power Options
- > Smart Behavior Video Analytics such as Intrusion, Tampering, Audio and Human Body Detection
- > Built-in Micro-SD Card Slot enables local storage up to 256GB
- > IP67 Weather Resistant Housing and Optional Mounts Available
- > Supported by uniview tec Guard Station Software and Guard Viewer Mobile App's for iPhone and Android Devices

Specifications

Camera	
Sensor	1/2.7", progressive scan , 5 megapixel, CMOS
Lens	2.8~12 mm, varifocal automatic focusing and motorized zoom lens
Angle of View (H x V)	108.79° ~ 33.23° x 56.9° ~ 18.33° (Wide ~ Tele)
Shutter	Auto/Manual, 1 ~ 1/100000 s
Minimum Illumination	Color: 0.003 Lux (F1.6, AGC ON); 0 Lux with IR
Day/Night	IR-cut filter with auto switch (ICR)
Digital noise reduction	2D/3D DNR
Signal / Noise Ratio	>52dB
IR LED Range	Up to 50m (164ft) IR range
WDR	120dB
Video Compression	Ultra 265, H.265, H.264, MJPEG
H.264 code profile	Baseline profile, Main Profile, High Profile
Maximum Frame Rate / Stream	Main: 5MP (2880 x 1620) @ 25fps Sub: 720P (1280 x 720) @ 30fps
HLC, BLC, Defog, Flip, 9:16 Corridor	Supported
OSD, Privacy Mask, Motion Detection & ROI	Up to 8 areas
Network	
Protocols	IPv4, IGMP, ICMP, ARP, TCP, UDP, DHCP, RTP, RTSP, RTCP, RTMP, DNS, DDNS, NTP, FTP, UPnP, HTTP, HTTPS, SMTP, SSL/TLS, QoS, 802.1x, SNMP
Compatible Integration	ONVIF (Profile S, G, T), API
Network	RJ45, 10M/100M Base-TX Ethernet
Behavior Video Analytics	Intrusion, Human Body Detection, Motion detection, Tampering alarm
Local and Network Storage	Micro-SD, up to 256GB / Automatic Network Replenishment (ANR)
General	
Power	12VDC +/- 25%; PoE (IEEE802.3 af); Power consumption: Max 8.5W
Audio I/O & Compression	1 / 0, w/ built-in Microphone; G711
Dimensions (L x W x H) & Weight	206 x 74 x 74mm (8.1 x 2.9 x 2.9"); 0.55kg (1.2lb)
Operating Temperature & Humidity	-30°C ~ +60°C (-22°F ~ 140°F); Humidity: 10%~95% RH (non-condensing)
Conformity Certifications	IP67, CE, FCC

Dimensions



Accessories

See Camera Accessories Guide