

5MP HD ANALOG, COLORHUNTER, DWDR, BULLET



Fixed Lens Bullet

UHDB5C28X

- > Fully Adheres to National Defense Authorization Act (NDA) Guidelines
- > High Video Quality with 5MP, 2880 x 1620 Resolution
- > High Definition Analog (HD Analog) over Coax Technology, utilizes existing Coax Cables & BNC Connectors, allowing Mega-pixel Video Images without any rewiring necessary
- > TVI, AHD, CVI and CVBS Protocol selectable --- Engineered to work with UVT Hybrid NVR's for Maximum Stability and Performance
- > ColorHunter Technology allows 24/7 Full-Color Imaging with Dual White Light Illuminators
- > 2.8mm fixed lens, Backlight Compensation and 2D DNR (Digital Noise Reduction)
- > TRUE Day/Night and DWDR functionality for all Lighting Conditions
- > Built-in Microphone for High Quality Audio Transmission via Coax Cables
- > Supports 180° horizontal flip, 180° vertical flip
- > Easy to Operation On Screen Display (OSD) Configuration Menu
- > 12VDC Power Options; IP67 Weather Resistant Housing with Optional Mounts
- > Supported by uniview tec Guard Station Client Software and Guard Viewer Mobile App's for iPhone and Android Devices

www.univiewtechnology.com



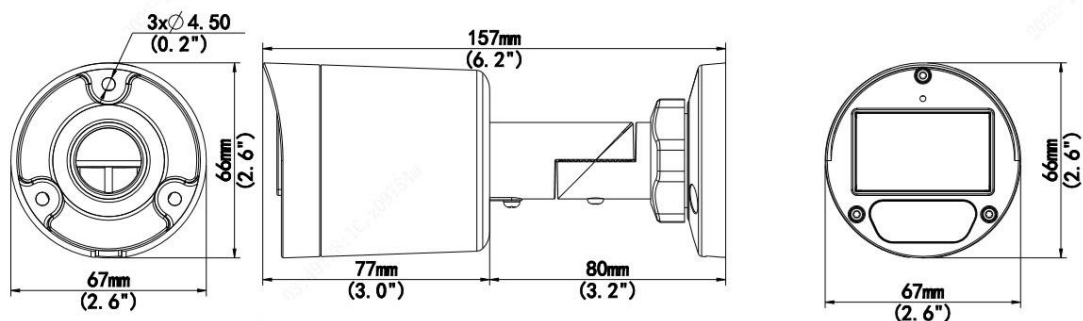
UVT5090423-00

Specifications

Sensor	
Pixel	5MP
Size	1/2.7" CMOS
Minimum illumination	0.005 lux (F1.4, AGC ON) 0 lux (white light on)
Lens	
Focal Length	2.8mm
Angle of View (H x V)	111.5° x 58.9°
IR Illumination	
White Light	Two Illuminator; 40M (130ft)
Video	
Resolution	5MP @ 25fps: 2880 × 1620; 5MP @ 20fps: 2592 × 1944; 5MP @ 12.5fps: 2592 × 1944 4MP: 2560 × 1440 1080P: 1920 × 1080
Frame rate	TVI: 5MP @ 20fps, 5MP @ 12.5fps, 4MP @ 30fps, 4MP @ 25fps, 1080P @ 30fps, 1080P @ 25fps AHD: 5MP @ 20fps, 4MP @ 30fps, 4MP @ 25fps, 1080P @ 30fps, 1080P @ 25fps CVI: 5MP @ 25fps, 4MP @ 30fps, 4MP @ 25fps, 1080P @ 30fps, 1080P @ 25fps CVBS: PAL, NTSC
Shutter time	PAL: 1/25s-1/50000s NTSC: 1/30s-1/50000s
Image	
Exposure mode	4 modes: Global (default), BLC, HLC, DWDR
Day/Night	24/7 full-color imaging
Digital noise reduction	2D
White balance	Two modes: Auto (default), Manual
WDR	DWDR
Flip	Supports 180° horizontal flip, 180° vertical flip.
Audio	
Microphone	Built-in
Camera Audio	TVI: 5MP@20fps, 5MP@12.5fps, 4MP@30fps, 4MP@25fps, 1080P@30fps, 1080P@25fps CVI: 5MP@25fps, 4MP@30fps, 4MP@25fps
Interface	
Power	5.5mm power interface
Video output	BNC, supports TVI / AHD / CVI / CVBS
Operating Environment	
Temperature	-30°C to 60°C (-22°F to 140°F)
Humidity	≤95% (RH, non-condensing)

Surge protection	4KV
Ingress protection	IP67
General	
Power	DC 12V(±25%), with reverse polarity protection and surge protection, Max 3.28W
Mount	3D bracket supplied, surface mount (default); optional junction box and pole mount available
Dimensions (L x W x H)	157.4 x 67 x 66mm (5.6 x 2.4 x 2.6")
Material	Metal and Plastic
Weight	279g (0.62lb)
Certification	CE, FCC

Dimensions



Accessories

See Camera Accessories Guide