

4MP, DUAL LENS, INTELLIGENT MULTIVIEW DOME



4MP Dual Lens Dome

IPV4428X

- > Fully Adheres to National Defense Authorization Act (NDAA) Guidelines
- > Dual Channel, Multiview with Exceptional Video Quality at 4MP, 2688 x 1520 Resolution
- > Super-Efficient H.265 Video Compression for Drastically Reduced Bandwidth and Storage Requirements
- > Single IP with Dual Channels, each with 2.8mm fixed, wide-angle lens
- > Powerful, Smart IR LED Lights for 0 Lux Night Time Operation up to 98 Feet
- > Two-way Audio, with 2 x Built-in Microphones
- > TRUE Day/Night and WDR (130db) functionality for all Lighting Conditions
- > Backlight Compensation, Defog and 3D DNR (Digital Noise Reduction)
- > Triple Video Streams; ONVIF Profile S Compliant and Built-in Micro-SD Card Slot enables local storage up to 256GB
- > Intelligent perimeter protection such as cross line and intrusion, with smart intrusion prevention technology for significantly reduced false alarms when focusing on humans and motor vehicles; and includes People Flow Counting and Crowd Density Monitoring
- > 3-Way Axis, IP67 Weather & IK10 Vandal Resistant Housing; PoE & 12VDC Power Options
- > Supported by uniview tec Guard Station Software and Guard Viewer Mobile App's for iPhone and Android Device

www.univiewtechnology.com



UVT70300124-00

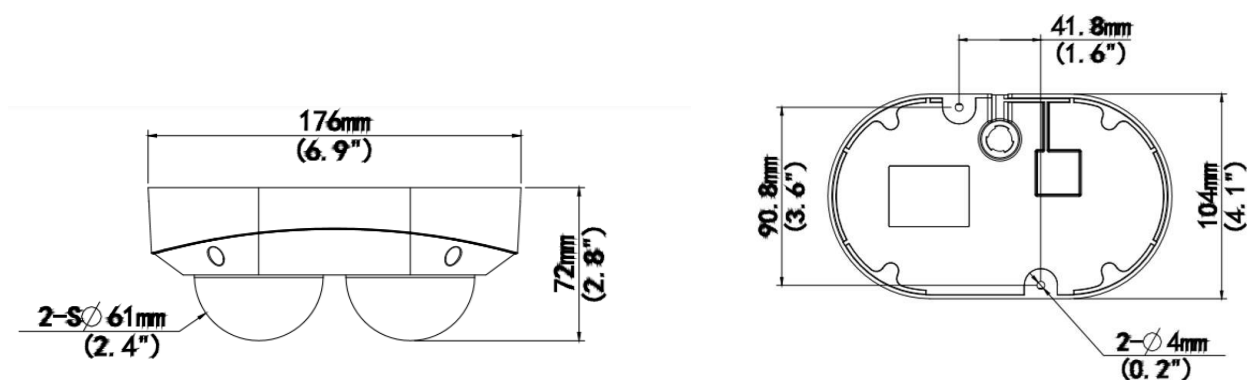
Specifications

Camera				
Sensor	1/3" 4MP, progressive scan CMOS			
Minimum illumination	Color: 0.002 lux (F1.6, AGC ON); 0 lux with IR on			
True Day / Night	IR-cut filter with auto switch (ICR)			
Shutter	Auto / Manual, 1 ~ 1/100000s			
Adjustment angle (3-way Axis)	Pan: 0° ~ 180°; Tilt: 0° ~ 66°; Rotate: 0° ~ 346°			
WDR	130dB			
S/N	>52dB			
Lens				
Lens	2.8mm @ F1.6			
Iris	Fixed			
Field of View (H)	97.7°			
Field of View (V)	52.7°			
Field of View (O)	102.5°			
DORI				
DORI Distance	Detect (m)	Observe (m)	Recognize (m)	Identify (m)
	63	25.2	12.6	6.3
Illuminator				
IR Range	Up to 30m (98ft) IR range			
Wavelength	850nm			
IR On/Off Control	Auto/Manual			
Video				
Video Compression	Ultra 265, H.265, H.264, MJPEG			
H.264 code profile	Baseline profile, Main profile, High profile			
Frame Rate	Main Stream: 4MP (2688 x 1520), Max 25fps; 4MP (2560 x 1440), Max 25fps; 3MP (2304 x 1296), Max 30fps; 1080P (1920 x 1080) Sub Stream: 1080P (1920 x 1080), Max 30fps; 720P (1280 x 720) Max 30fps; D1 (720 x 576), Max 30fps; 640 x 360, Max 30fps; 2CIF (704 x 288), Max 30fps; CIF (352 x 288), Max 30fps Third Stream: D1 (720 x 576), Max 30fps; 640 x 360, Max 30fps; 2CIF (704 x 288), Max 30fps; CIF (352 x 288), Max 30fps			
Video Bit Rate	128 Kbps~16 Mbps			
U-code	Support			
OSD	Up to 8 OSDs			
Privacy Mask	Up to 4 areas			
ROI	Up to 8 areas			
Video Stream	Triple			

Image	
White Balance	Auto / Outdoor / Fine Tune / Sodium Lamp / Locked / Auto2
Digital Noise Reduction	2D / 3D DNR
Smart IR	Support
Flip	Normal / Vertical / Horizontal / 180° / 90°Clockwise / 90°Anti-clockwise
HLC	Supported
BLC	Supported
Defog	Digital Defog
Intelligent Analytics	
Smart Intrusion Prevention	Support false alarm filtering: Cross Line detection, Intrusion detection, Enter Area detection, Leave Area detection
Statistical Analysis	People counting, support people flow counting and crowd density monitoring (only on channel 1)
Intrusion Events	
Basic Detection	Motion detection, Ultra motion detection, tampering alarm, audio detection
General Function	Watermark, IP address filtering, tampering alarm, alarm input, alarm output, access policy, ARP protection, RTSP authentication, user authentication
Audio	
Audio Compression	G.711U, G.711A
Audio Bitrate	64 Kbps
Two-way audio	Support
Suppression	Support
Sampling Rate	8KHZ
Storage	
Edge Storage	Micro SD, up to 256GB
Network Storage	ANR
Network	
Protocols	IPv4, IGMP, ICMP, ARP, TCP, UDP, DHCP, RTP, RTSP, RTCP, RTMP, DNS, DDNS, NTP, FTP, UPnP, HTTP, HTTPS, SMTP, QoS, SSL/TLS, SNMP, SSH
Compatible Integration	ONVIF (Profile S, Profile G, Profile T), API
User/Host	Up to 32 users. 2 user levels: administrator and common user
Security	Password protection, Strong password, HTTPS encryption, Export operation logs, Basic and digest authentication for RTSP, Digest authentication for HTTP, TLS 1.2, WSSE and digest authentication for ONVIF
Client	Guard Station, Guard Viewer
Web Browser	Plug-in required live view: IE 10 and above, Chrome 45 and above, Firefox 52 and above, Edge 79 and above; Plug-in free live view: Chrome 57.0 and above, Firefox 58.0 and above, Edge 16 and above
Interface	
Built-in Mic	Support
Audio I / O	Input: impedance 35kΩ; amplitude 2V [p-p]; Output: impedance 600Ω; amplitude 2V [p-p]
Alarm I / O	1 / 1
Network	1 * RJ45 10M/100M Base-TX Ethernet

General	
Power	DC 12V±25%, PoE (IEEE 802.3af); Power consumption: Max 9.1W
Power Interface	Ø 5.5mm coaxial power plug
Dimensions (Ø × H)	176 × 104 × 72mm (6.9 × 4.1' × 2.8'')
Weight	0.62kg (1.37lb)
Working Environment	-30°C ~ 60°C (-22°F ~ 140°F), Humidity: ≤95% RH (non-condensing)
Surge Protection	4KV
Conformity Certifications	IP67, IK10, CE, FCC

Dimensions



Accessories

See Camera Accessories Guide