

4K, TRUE DAY/NIGHT, WDR, IR TURRET DOME



Fixed Lens Turret Dome

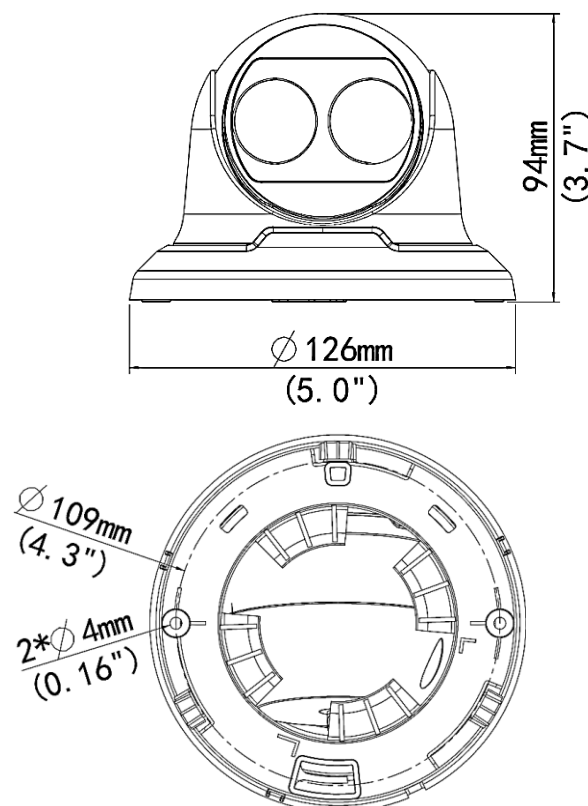
IPT4K28

- > Exceptional Video Quality with 4K (8MP), 3840 x 2160 Resolution
- > Super-Efficient H.265 Video Compression for Drastically Reduced Bandwidth and Storage Requirements
- > Powerful, Smart IR LED Lights for 0Lux Night Time Operation up to 98 Feet
- > 2.8 fixed, wide-angle lens
- > TRUE Day/Night and WDR functionality for all Lighting Conditions
- > Corridor View, Backlight Compensation and 3D DNR (Digital Noise Reduction)
- > Triple Video Streams
- > ONVIF Profile S Compliant
- > Powerful Video Analytics such as Behavior, Exception, Identification and Statistical
- > PoE & 12VDC Power Options
- > IP67 Weather Resistant Housing
- > Optional Wall and Pole Mount Available
- > Supported by uniview tec Guard Station Software and Guard Viewer Mobile App's for iPhone and Android Devices

Specifications

Camera	
Sensor	1/2.5", progressive scan , 8 megapixel, CMOS
Lens	2.8mm @ F1.6
Angle of View (H x V)	118.1° x 64.0°
Shutter	Auto/Manual, 1/6 ~ 1/100000 s
Minimum Illumination	Color: 0.001 Lux (F1.6, AGC ON); 0 Lux with IR
Day/Night	IR-cut filter with auto switch (ICR)
Digital noise reduction	2D/3D DNR
IR LED Range	Up to 30m (98 ft) IR range
WDR	120dB
Video Compression	Ultra 265, H.265, H.264, MJPEG
H.264 code profile	Baseline profile, Main Profile, High Profile
Maximum Frame Rate / Stream	Main: 8MP (3840x2160) @ 15 fps Sub: 2MP (1920 x 1080) @ 30fps Third Stream: D1 (720x576) @ 30fps
HLC, BLC, Corridor, Defog	Supported
OSD, Privacy Mask, Motion Detection & ROI	Up to 8 areas
Network	
Protocols	IPv4, IGMP, ICMP, ARP, TCP, UDP, DHCP, PPPoE, RTP, RTSP, RTCP, DNS, DDNS, NTP, FTP, UPnP, HTTP, HTTPS, SMTP, 802.1x, SNMP
Compatible Integration	ONVIF (Profile S, Profile G), API
Network	RJ45, 10M/100M Base-T X Ethernet
Video Analytics	Behavior, Exception, Identification, Statistical
General	
Power	12 VDC, PoE (IEEE802.3 af); Power consumption: Max 5.5W
Dimensions (Ø x H) & Weight	Ø126 x 94 mm (Ø5 x 3.7"); 0.33kg (0.73lb)
Adjustment Range	Pan: 0°~360° Tilt: 0° ~ 75°
Operating Temperature & Humidity	-30°C ~ +60°C (-22°F ~ 140°F); Humidity: 10%~95% RH (non-condensing)
Conformity Certifications	IP67, CE, FCC

Dimensions



Accessories

TR-WM03-A-IN	Wall Mount
TR-UP06-IN	Pole Mount
TR-JB03-C-IN	Junction Box