

## ***4MP, TRUE DAY/NIGHT, WDR, IR, TURRET DOME***



*Varifocal Lens Turret Dome*

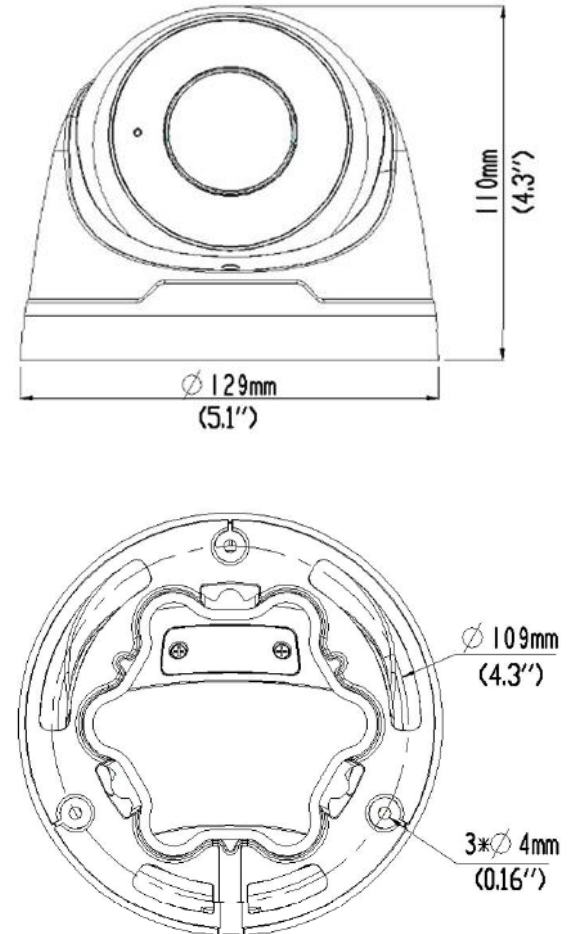
### ***IPT4212M***

- > Exceptional Video Quality with 4MP, 2592 x 1520 Resolution
- > Super-Efficient H.265 Video Compression for Drastically Reduced Bandwidth and Storage Requirements
- > Powerful, Smart IR LED Lights for 0Lux Night Time Operation up to 98 Feet
- > 2.8 ~ 12mm motorized varifocal, automatic focus lens
- > TRUE Day/Night and WDR functionality for all Lighting Conditions
- > One-way Audio w/ built-in microphone, Corridor View, Backlight Compensation and 3D DNR (Digital Noise Reduction)
- > Triple Video Streams; ONVIF Profile S Compliant
- > Powerful Video Analytics such as Behavior, Exception, Identification and Statistical
- > PoE & 12VDC Power Options
- > Built-in Micro-SD Card Slot enables local storage up to 128GB
- > IP67 Weather Resistant Housing, with Optional Wall and Pendant Mounts Available
- > Supported by uniview tec Guard Station Software and Guard Viewer Mobile App's for iPhone and Android Devices

## Specifications

Camera	
Sensor	1/3", progressive scan, 4 megapixel, CMOS
Lens	2.8 ~ 12mm, varifocal automatic focusing and motorized zoom lens
Angle of View (H x V)	91° ~ 27° x 54.4°~13.7° (wide ~ tele)
Shutter	Auto/Manual, 1/6 ~ 1/100000 s
Minimum Illumination	Color: 0.01 Lux (F1.4, AGC ON); 0 Lux with IR
Day/Night	IR-cut filter with auto switch (ICR)
Digital noise reduction	2D/3D DNR
IR LED Range	Up to 30m (98 ft) IR range
WDR	120dB
Video Compression	Ultra 265, H.265, H.264, MJPEG
H.264 code profile	Baseline profile, Main Profile, High Profile
Maximum Frame Rate / Stream	Main: 4MP (2592 x 1520) @ 20fps; or (2560 x 1440) @ 25fps; or 3MP (2048 x 1520) @ 30fps Sub: 2MP (1920 x 1080) @ 30fps Third Stream: D1 (720x576) @ 30fps
HLC, BLC, 9:16 Corridor, Defog	Supported
OSD, Privacy, Motion & ROI	Up to 8 areas
Network	
Protocols	IPv4, IGMP, ICMP, ARP, TCP, UDP, DHCP, PPPoE, RTP, RTSP, RTCP, DNS, DDNS, NTP, FTP, UPnP, HTTP, HTTPS, SMTP, 802.1x, SNMP
Compatible Integration	ONVIF (Profile S, Profile G), API
Network	RJ45, 10M/100M Base-TX Ethernet
Video Analytics	Behavior, Exception, Identification, Statistical
Local Storage	Micro-SD, up to 128GB
Network Storage	Automatic Network Replenishment (ANR)
General	
Power	12VDC +/- 25%, PoE (IEEE802.3 af); Max 8.16W
Dimensions (Ø x H) & Weight	Ø129 x 110mm (Ø5.1 x 4.3"); 0.67kg (1.48lb)
Audio I/O & Compression	1 / 0, with built-in microphone; G711
Operating Temperature & Humidity	-40°C ~ +60°C (-40°F ~ 140°F); Humidity: 10%~95% RH (non-condensing)
Conformity Certifications	IP67, CE, FCC

## Dimensions



## Accessories

TR-WM03-A-IN	Wall Mount
TR-UP06-IN	Pole Mount
TR-JB03-E-IN	Junction Box