

## **4MP, TRUE DAY/NIGHT, D-WDR, IR BULLET**



### *Fixed Lens Bullet*

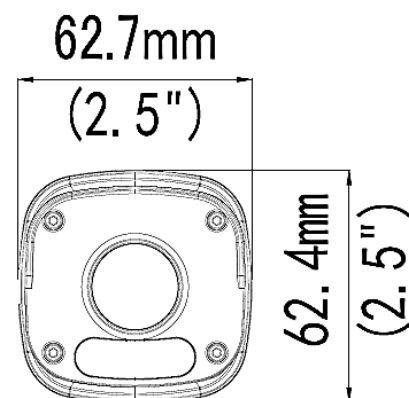
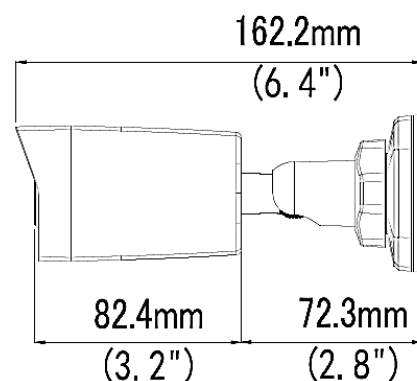
## **IPB4E40**

- > Exceptional Video Quality with 4MP, 2592 x 1520 Resolution
- > Super-Efficient H.265 Video Compression for Drastically Reduced Bandwidth and Storage Requirements
- > Powerful, Smart IR LED Lights for 0Lux Night Time Operation up to 98 Feet
- > 4mm fixed lens
- > TRUE Day/Night and Digital-WDR functionality for all Lighting Conditions
- > Backlight Compensation
- > 3D DNR (Digital Noise Reduction)
- > Privacy Mask and Motion Detection
- > Triple Video Streams
- > ONVIF Profile Series Compliant
- > PoE & 12VDC Power Options
- > IP67 Weather Resistant Housing
- > Optional Mounts Available
- > Supported by uniview tec Guard Station Software and Guard Viewer Mobile App's for iPhone and Android Devices

## Specifications

| Camera                                    |   |
|---|---|
| Sensor                                    | 1/3", progressive scan , 4 megapixel, CMOS  |
| Lens                                      | 4mm@ F2.0   |
| Angle of View (H x V)                     | 78.9° x 39.6°   |
| Shutter                                   | Auto/Manual, 1 ~ 1/100000 s   |
| Minimum Illumination                      | Color: 0.03 Lux (F2.0, AGC ON); 0 Lux with IR   |
| Day/Night                                 | IR-cut filter with auto switch (ICR)  |
| Digital noise reduction                   | 2D/3D DNR   |
| Signal / Noise Ratio                      | >52dB   |
| IR LED Range                              | Up to 30m (98 ft) IR range  |
| WDR                                       | Digital   |
| Video Compression                         | Ultra 265, H.265, H.264, MJPEG  |
| H.264 code profile                        | Baseline profile, Main Profile, High Profile  |
| Maximum Frame Rate / Stream               | Main: 4MP (2592 x 1520) @ 20fps<br>Sub: 720P (1280 x 720) @ 20fps<br>Third Stream: D1 (720 x 576) @ 20fps |
| HLC, BLC                                  | Supported   |
| OSD, Privacy Mask, Motion Detection & ROI | Up to 8 areas   |
| Network                                   |   |
| Protocols                                 | IPv4, IGMP, ICMP, ARP, TCP, UDP, DHCP, RTP, RTSP, RTCP, DNS, DDNS, NTP, FTP, UPnP, HTTP, HTTPS, SMTP, SSL |
| Compatible Integration                    | ONVIF (Profile S, Profile T), API   |
| Network                                   | RJ45, 10M/100M Base-TX Ethernet   |
| General                                   |   |
| Power                                     | 12VDC +/- 25%, PoE (IEEE802.3 af);<br>Power consumption: Max 4W   |
| Dimensions (L x W x H) & Weight           | 162.2 x 62.4 x 62.7mm (6.4 x 2.5 x 2.5");<br>0.37kg (0.81lb)  |
| Operating Temperature & Humidity          | -30°C ~ +60°C (-22°F ~ 140°F); Humidity: 10%~95% RH (non-condensing)                                      |
| Conformity Certifications                 | IP67, CE, FCC   |

## Dimensions



## Accessories

|              |              |
|--------------|--------------|
| TR-UP06-A-IN | Pole Mount   |
| TR-JB05-IN   | Junction Box |