

12MP, 22x, TRUE DAY/NIGHT, WDR, IR, PTZ DOME



22x PTZ Dome

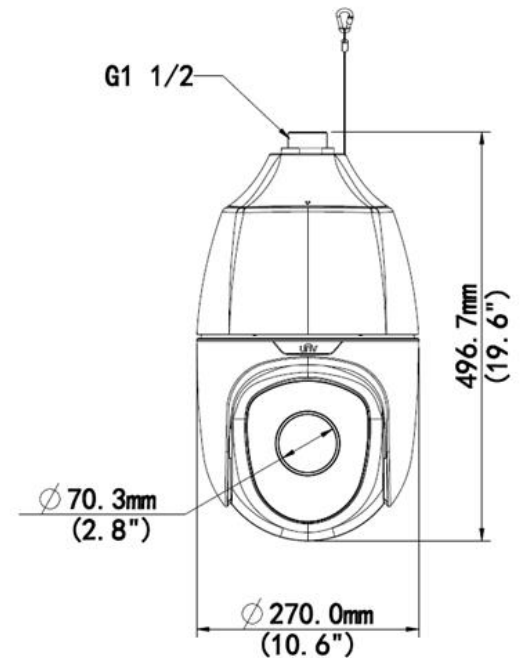
IPCSD4K22

- > Exceptional Video Quality with 12MP, Ultra-HD 4000 x 3000 Resolution
- > Super-Efficient H.265 Video Compression for Drastically Reduced Bandwidth and Storage Requirements
- > Ultra-Powerful, Smart IR LED Lights for 0Lux Night Time Operation up to 825 Feet
- > 6.5 ~ 143mm, 22x Optical motorized zoom and automatic focus lens
- > TRUE Day/Night and Digital WDR functionality for all Lighting Conditions
- > Two-way Audio, Backlight Compensation and 3D DNR (Digital Noise Reduction)
- > High Speed up to 300°/sec and up to 1024 Preset Positions
- > Triple Video Streams; ONVIF Profile Series Compliant
- > Powerful Video Analytics such as Behavior, Exception, Identification and Statistical
- > 24VAC & 24VDC Power Options and Composite Video Output for Test Monitor
- > Built-in Micro-SD Card Slot enables local storage up to 256GB
- > IP66 Weather Resistant Housing
- > Optional Mounts Available
- > Supported by uniview **tec** Guard Station Software and Guard Viewer Mobile App's for iPhone and Android Devices

Specifications

| Camera | |
|---|--|
| Sensor | 1/1.7", progressive scan, 12 megapixel, CMOS |
| Lens | 6.5 ~ 143 mm, automatic focusing and motorized zoom lens |
| Angle of View (H x V) | 56.69° ~ 3.19° x 34.2° ~ 1.6° (wide ~ tele) |
| Shutter | Auto/Manual, 1 ~ 1/100000 s |
| Minimum Illumination | Color: 0.01 Lux (F1.5, AGC ON); 0 Lux with IR |
| Day/Night | IR-cut filter with auto switch (ICR) |
| Digital noise reduction | 2D/3D DNR |
| IR LED Range | Up to 250m (825ft) IR range |
| WDR | Digital |
| Video Compression | Ultra 265, H.265, H.264, MJPEG |
| Maximum Frame Rate / Stream | Main: 12MP (4000 x 3000) @ 20fps, 8MP (3840 x 2160) @ 25fps or 2MP (1920 x 1080) @ 30fps Sub: 2MP (1920 x 1080) @ 30fps Third Stream: D1 (720 x 576) @ 30fps |
| HLC, BLC, Defog, EIS | Supported |
| OSD, Privacy Mask, Motion Detection & ROI | Up to 8 areas |
| Pan and Tilt | 360° Endless Pan, 300°/s max speed; -15° ~ 90° Tilt, 240°/s max speed |
| Presets, Patterns, Patrols | 1024 Presets; 16 Patterns; 16 Patrols |
| Network | |
| Protocols | IPv4, IGMP, ICMP, ARP, TCP, UDP, DHCP, PPPoE, RTP, RTSP, RTCP, DNS, DDNS, NTP, FTP, UPnP, HTTP, HTTPS, SMTP, 802.1x, SNMP |
| Compatible Integration | ONVIF (Profile S, G and T), API |
| Network | RJ45, 10M/100M/1000M Base-TX Ethernet |
| Video Analytics | Behavior, Exception, Identification, Statistical |
| Local & Network Storage | Micro-SD, up to 256GB; ANR |
| General | |
| Power | 24VAC or 24VDC +/- 25%; Max 16 ~ 56W |
| Dimensions (Ø x H) & Weight | Ø270 x 496.7mm (Ø10.6 x 19.6"); 9.69kg (21.4lb) |
| Audio I/O & Compression | 1 / 1; G711 |
| Alarm I/O & Serial Port | 2 / 1; 1 x RS485 |
| Video Output & Serial Port | 1 BNC, impedance 75 Ω; amplitude 1 V [p-p] |
| Operating Temperature & Humidity | -40°C ~ +70°C (-40°F ~ 158°F); Humidity: 10% ~ 95% RH (non-condensing) |
| Conformity Certifications | IP66, CE, FCC |

Dimensions



Accessories

| | |
|--------------|----------------------------------|
| TR-WE45-A-IN | Wall Mount |
| TR-UP08-A-IN | Pole Mount |
| TR-UC08-A-IN | Corner Mount |
| TR-CE45-IN | Pendant Mount |
| TR-UF45-A-IN | Pendant Mount Adapter |
| TR-WE45-B-IN | Parapet Mount |
| KB-1100 | Keyboard Controller |
| TR-JB12-IN | Junction Box for TR-TR-WE45-A-IN |