

4MP, TDN, WDR, IR, LOW PROFILE VANDAL DOME



Fixed Lens Low Profile Dome

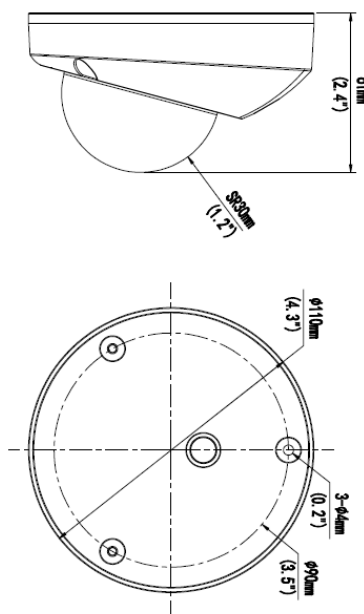
IPVLP428

- > Exceptional Video Quality with 4MP, 2592 x 1520 Resolution
- > Super-Efficient H.265 Video Compression for Drastically Reduced Bandwidth and Storage Requirements
- > Powerful, Smart IR LED Lights for 0 Lux Night Time Operation up to 49 Feet
- > 2.8mm fixed lens
- > TRUE Day/Night and WDR functionality for all Lighting Conditions
- > Two-way Audio, Corridor View, Backlight Compensation and 3D DNR (Digital Noise Reduction)
- > Triple Video Streams
- > ONVIF Profile Series Compliant
- > Powerful Video Analytics such as Behavior, Exception, Identification and Statistical
- > PoE & 12VDC Power Options
- > Built-in Micro-SD Card Slot enables local storage up to 256GB
- > IP66 Weather Resistant and IK10 Vandal Resistant Rated Vandal Housing
- > Optional Mounts Available
- > Supported by uniview tec Guard Station Software and Guard Viewer Mobile App's for iPhone and Android Devices

Specifications

| Camera | |
|---|---|
| Sensor | 1/3", progressive scan , 4 megapixel, CMOS |
| Lens | 2.8mm @ F2.0 |
| Angle of View (H x V) | 104.4° x 54.4° |
| Shutter | Auto/Manual, 1 ~ 1/100000 s |
| Minimum Illumination | Color: 0.03 Lux (F2.0, AGC ON); 0 Lux with IR |
| Day/Night | IR-cut filter with auto switch (ICR) |
| Digital noise reduction | 2D/3D DNR |
| IR LED Range | Up to 15m (49ft) IR range |
| WDR | 120dB |
| Video Compression | Ultra 265, H.265, H.264, MJPEG |
| H.264 code profile | Baseline profile, Main Profile, High Profile |
| Maximum Frame Rate / Stream | Main: 4MP (2592 x 1520)@ 20fps; or (2560 x 1440) @25fps; or 3MP (2048 x 1520) @ 30fps Sub: 2MP (1920 x 1080) @ 30fps Third Stream: D1 (720x576) @ 30fps |
| HLC, BLC, 9:16 Corridor, Defog | Supported |
| OSD, Privacy Mask, Motion Detection & ROI | Up to 8 areas |
| Network | |
| Protocols | IPv4, IGMP, ICMP, ARP, TCP, UDP, DHCP, PPPoE, RTP, RTSP, RTCP, DNS, DDNS, NTP, FTP, UPnP, HTTP, HTTPS, SMTP, 802.1x, SNMP, QoS |
| Compatible Integration | ONVIF (Profile S, Profile G), API |
| Network | RJ45, 10M/100M Base-TX Ethernet |
| Video Analytics | Behavior, Exception, Identification, Statistical |
| Local Storage | Micro-SD, up to 256GB |
| Network Storage | Automatic Network Replenishment (ANR) |
| General | |
| Power | 12VDC +/-25%, PoE (IEEE802.3 af); Power consumption: Max 4.5W |
| Dimensions (Ø x H) & Weight | Ø110 x 61 mm (Ø4.3" x 2.4"); 0.25kg (0.55lb) |
| Audio I/O & Compression | 1 / 1, w/ built-in Mic; G.711 Compression |
| Operating Temperature & Humidity | -35°C ~ +60°C (-31°F ~ 140°F); Humidity: 10%~95% RH (non-condensing) |
| Conformity Certifications | IP66, IK10; CE, FCC |

Dimensions



Accessories

| | |
|--------------|--------------|
| TR-JB03-D-IN | Junction Box |
| TR-UP06-IN | Pole Mount |