

## **4ch Analog x 2ch IP, 5MP Resolution, Hybrid NVR**



### *4 x 2 Hybrid NVR*

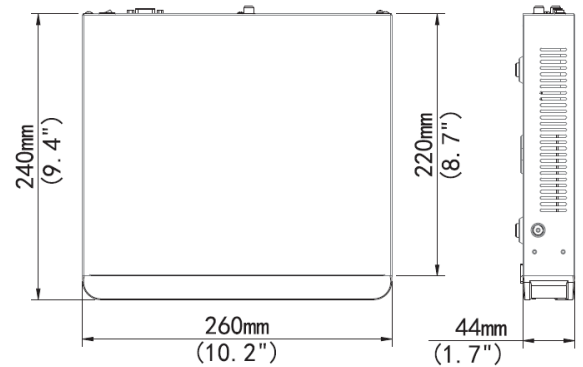
## **HNR04**

- > 4 analog x 2 IP Cameras, Hybrid network recorder with H.264 Compression
- > Simultaneously supports 4 Analog (AHD, TVI, CVI and CVBS) and 2 IP Video Inputs with adaptive access (or up to 6 IP channels if no analog cameras are connected)
- > Supports High Definition Analog (HD Analog) over Coax Technology for use of Existing Coax Cables & BNC Connectors and allows mega-pixel video images from AHD, TVI and CVI cameras without any rewiring
- > Supports recording of up to 5MP, 2592 x 1944 Resolution Images
- > Concurrent Display on HDMI and VGA Monitor Outputs
- > HDMI and VGA display resolution up to 1920 x 1080
- > Supports Audio I/O and PTZ Camera control
- > Easy Plug and Play Functionality with Automatic Device Discovery and Display
- > Supports 1 SATA HDD up to 10TB
- > ONVIF Profile S Compliant for IP Cameras
- > Long transmission distance over RG6U coax cable up to 2000ft (600m)
- > Supported by uniview **tec** Guard Station Client Software and Guard Viewer Mobile App's for iPhone and Android Devices

## Specifications

Video	
Analog Camera Inputs	4 channels
IP Camera Inputs	2 channels (6ch if no analog connected)
Video Compression	H.264
Max. Recording Video Resolutions	AHD - 5MP; TVI - 5MP; CVI- 2MP CVBS - 960H (720TVL); IP - 5MP
Playback Video Capability (fps)	Analog & IP Cameras: 2 x 1080p @30 IP Cameras Only: 5 x 1080p @30
Monitor Output	1 x HDMI (1080p~ 720p); 1 x VGA (1080p ~ 720P)
Synchronous Playback	6 channels
Network	
Protocols	TCP/IP, P2P, UPnP, NTP, DHCP, PPPoE
Bandwidth	Incoming – 40Mbps; Outgoing – 40Mbps
Remote Users	128
General	
Network Interface	1 – RJ45, 10M/100M, self-adaptive Ethernet
Serial Interface	1 x RS485 (Terminal Strip)
USB Interface	Front panel: 1 x USB2.0; Rear panel: 1 x USB2.0
Audio I / O	4ch RCA Input / 1ch RCA Output
Hard Disk	1 SATA, up to 10TB
Power	12VDC; 5W Consumption (w/o HDD)
Operating Temperature	-10°C ~ +55°C ( +14°F ~ +131°F ), Humidity ≤ 90% RH(non-condensing)
Dimensions (WxDxH)	260 × 240 × 44mm (10.2 × 9.4 × 1.7")
Weight (w/o HDD)	1.12kg (2.47lb)
Conformity Certifications	FCC, CE (UL – Power Supply only)

## Dimensions



## Accessories

- 4KTESTMON Multi-Function Video Test Monitor
- NSW081P 8-Port PoE Switch

## Models

- HNR04-1T
- HNR04-2T
- HNR04-4T

