

8ch Analog x 8ch IP, 8MP Resolution, Hybrid NVR



8 x 8 Hybrid NVR

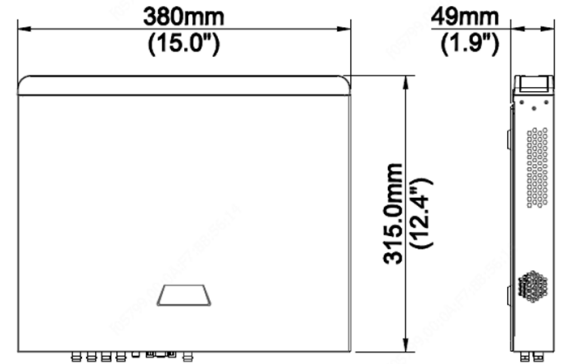
HNR08

- > 8 analog x 8 IP Cameras, Hybrid network recorder with H.265 Compression
- > Simultaneously supports 8 Analog (AHD, TVI, CVI and CVBS) and 8 IP Video Inputs with adaptive access (or up to 16 IP channels if no analog cameras are connected)
- > Supports High Definition Analog (HD Analog) over Coax Technology for use of Existing Coax Cables & BNC Connectors, allowing mega-pixel video images from AHD, TVI and CVI camera without any rewiring
- > Supports recording of up to 8MP (4K), 3840 x 2160 Resolution Images
- > Concurrent Display on HDMI and VGA Monitor Outputs
- > HDMI display resolution up to 8MP - 3840 x 2160
- > Supports Audio I/O, PTZ Camera control and Alarm I/O
- > Easy Plug and Play Functionality with Automatic Device Discovery and Display
- > Supports 2 SATA HDD up to 10TB each for 20TB total
- > ONVIF Profile S Compliant for IP Cameras
- > Long transmission distance over RG-6 coax cable up to 2000ft (600m)
- > Supported by uniview tec Guard Station Client Software and Guard Viewer Mobile App's for iPhone and Android Devices

Specifications

Video	
Analog Camera Inputs	8 channels
IP Camera Inputs	8 channels (up to 16ch if no analog connected)
Video Compression	H.265, H.264
Max. Recording Video Resolutions	AHD - 8MP; TVI - 8MP; CVI - 8MP; CVBS - 960H (720TVL); IP - 8MP
Playback Video Capability (fps)	2 x 8MP @30; 2 x 6MP @30; 3 x 8MP @30; 4 x 4MP @30; 4 x 3MP @30; 6 x 3MP @25; 8 x 1080p @30; 16 x 720P @ 30
Monitor Output	1 x HDMI:3840 x 2160; 1 x VGA, 1080p; 1 x CVBS
Synchronous Playback	8 channels
Network	
Protocols	TCP/IP, P2P, UPnP, NTP, DHCP, PPPoE
Bandwidth	Incoming – 64Mbps; Outgoing – 64Mbps
Remote Users	128
General	
Network Interface	1 x RJ45, 10M/100M/1000M, self-adaptive Ether.
USB Interface	Front panel: 1 x USB2.0; Rear panel: 1 x USB3.0
Serial Interface	1 x RS485, Terminal Strip
Audio I / O	4ch / 1ch, RCA
Alarm I / O	8 / 4, Terminal Strip
Hard Disk	2 SATA, up to 10TB each
Power	12VDC; 12W Consumption (w/o HDD)
Operating Temperature	-10°C ~ +55°C (+14°F ~ +131°F), Humidity ≤ 90% RH (non-condensing)
Rack Mountable	Yes; Ears Available Upon Request
Dimensions (WxDxH)	380mm x315mmx 49mm (15" x 12.4"x1.9")
Weight (w/o HDD)	1.9 Kg (4.19lb)
RG-6 Coax Cable Transmission	Up to 1200ft w/ TVI, CVI; up to 2000ft w/ AHD
Conformity Certifications	FCC, CE (UL – Power Supply only)

Dimensions



Accessories

4KTESTMON	Multi-Function Video Test Monitor
XDLBB2	Recorder Lockbox
NSW081P	8-Port PoE Switch
NSW162P	16-Port PoE Switch

Models

HNR08-2T	HNR08-4T
HNR08-8T	HNR08-16T

