

2MP, TDN, WDR, IR, LR LENS, STARVIEW BULLET



Long Range Lens Bullet

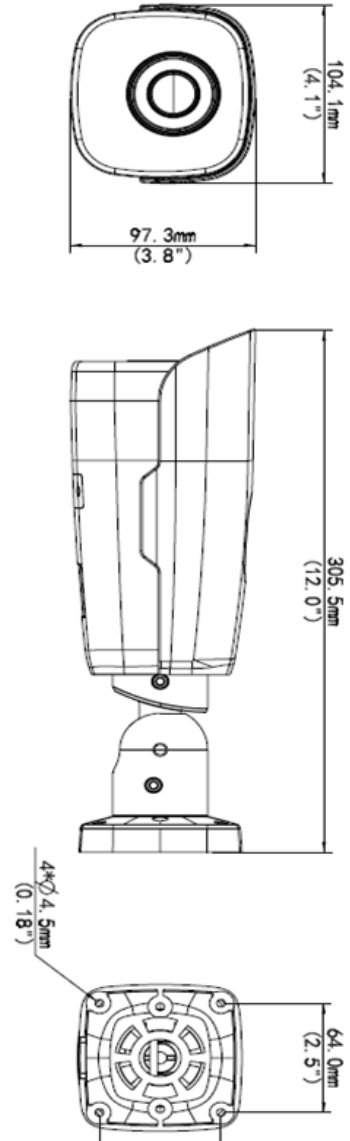
IPB2447M

- > Starview illumination technology provides crisp color image up to 0.001Lux (F1.6)
- > Long Range 4.7 ~ 47mm motorized varifocal, automatic focus lens
- > Exceptional Video Quality with 2MP, 1920 x 1080 Resolution
- > Super-Efficient H.265 Video Compression for Drastically Reduced Bandwidth and Storage Requirements
- > Powerful, Smart IR LED Lights for 0Lux Night Time Operation up to 328 Feet
- > TRUE Day/Night and WDR functionality for all Lighting Conditions
- > Two-way Audio, Corridor View, Backlight Compensation and 3D DNR (Digital Noise Reduction)
- > Triple Video Streams; ONVIF Profile S Compliant
- > Powerful Video Analytics such as Behavior, Exception, Identification and Statistical
- > PoE, 12VDC & 24VAC Power Options
- > Built-in Micro-SD Card Slot enables local storage up to 256GB and Automatic Network Replenishment (ANR)
- > IP67 Weather Resistant Housing and Composite Video Output for Test Monitor
- > Optional Mounts Available
- > Supported by uniview tec Guard Station Software and Guard Viewer Mobile App's for iPhone and Android Devices

Specifications

Camera	
Sensor	1/2.8", progressive scan, 2 megapixel, CMOS
Lens	4.7 ~ 47mm, DC Iris, varifocal automatic focusing and motorized zoom lens
Angle of View (H x V)	65° ~ 9° x 36.9° ~ 3.8° (Wide ~ Tele)
Shutter	Auto/Manual, 1 ~ 1/100000 s
Minimum Illumination	Color: 0.001 Lux (F1.6, AGC ON); 0 Lux with IR
Day/Night	IR-cut filter with auto switch (ICR)
Digital noise reduction	2D/3D DNR
IR LED Range	Up to 100m (328ft) IR range
WDR	120dB
Signal / Noise Ratio	>52dB
Video Compression	Ultra 265, H.265, H.264, MJPEG
H.264 code profile	Baseline profile, Main Profile, High Profile
Maximum Frame Rate / Stream	Main Stream: 2MP (1920 x 1080): Max. 30 fps; Sub Stream: 1920 x 1080: Max. 30 fps; Third Stream: 720 x 576: Max. 30 fps
HLC, BLC, 9:16 Corridor, Defog	Supported
OSD, Privacy, Motion & ROI	Up to 8 areas
Network	
Protocols	IPv4, IGMP, ICMP, ARP, TCP, UDP, DHCP, PPPoE, RTP, RTSP, RTCP, DNS, DDNS, NTP, FTP, UPnP, HTTP, HTTPS, SMTP, 802.1x, SNMP
Network	RJ45, 10M/100M Base-TX Ethernet
Video Analytics	Behavior, Exception, Identification, Statistical
Compatible Integration	ONVIF (Profile S & G); API
Local & Network Storage	Micro-SD, up to 256GB; ANR
General	
Power	12VDC / 24VAC +/- 25%, PoE (IEEE802.3 af); Max 13.7W
Dimensions (L x W x H) & Weight	305.5 x 104.1 x 97.3mm (12 x 4.1 x 3.8"); 1.6kg (3.6lb)
Audio I/O & Compression	1 / 1; G.711 compression
Alarm I/O & Serial Port	2 / 1; 1 x RS485
Video Output	1 x BNC; Impedance 75 Ω; Amplitude 1 V [p-p]
Operating Temperature & Humidity	-40°C ~ +60°C (-40°F ~ 140°F); Humidity: 10%~95% RH (non-condensing)
Conformity Certifications	IP67, CE, FCC

Dimensions



Accessories

TR-UP06-A-IN	Pole Mount
TR-JB07-D-IN	Junction Box