

4K, PANORAMIC 180°, WDR, IR, STARVIEW BULLET



Multi-Sensor StarView Bullet

(Wall Mount Not Included)

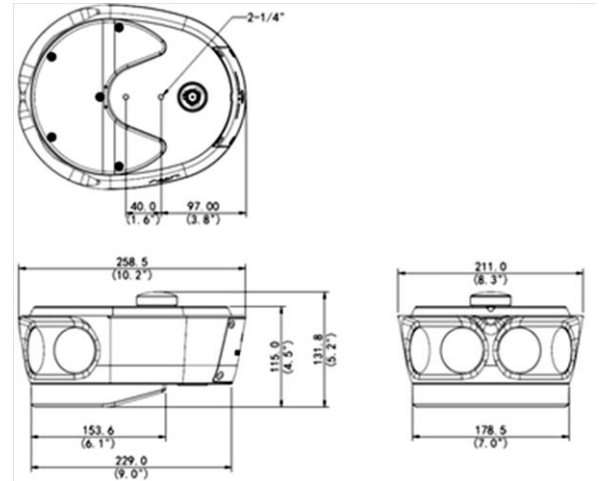
IPBP4K180

- > 4 x CMOS Sensors with 4.2mm fixed lenses, provides 180° panoramic view
- > StarView illumination technology provides crisp color image up to 0.001 Lux (F1.8)
- > Exceptional Video Quality with 4K (8MP), 4096 x 1800 Resolution @ 30fps
- > Super-Efficient H.265 Video Compression for Drastically Reduced Bandwidth and Storage Requirements
- > Powerful, Smart IR LED Lights for 0Lux Night Time Operation up to 164 Feet
- > TRUE Day/Night and WDR functionality for all Lighting Conditions
- > Two-way Audio, Backlight Compensation and 3D DNR (Digital Noise Reduction)
- > Triple Video Streams; ONVIF Profile S Compliant
- > Powerful Video Analytics such as Behavior, Exception, Identification and Statistical
- > Built-in Micro-SD Card Slot enables local storage up to 256GB and Automatic Network Replenishment (ANR)
- > IP67 Weather Resistant Housing
- > Optional Mounts Available (Wall mount shown above not included)
- > 24VDC / 24VAC Power Options
- > Supported by uniview tec Guard Station Software and Guard Viewer Mobile App's for iPhone and Android Devices

Specifications

Camera	
Sensor	1/1.8", progressive scan, 2 megapixel, CMOS x 4
Lens	4.2mm fixed lens x 4
Angle of View (H x V)	180° x 80°
Shutter	Auto/Manual, 1/6 ~ 1/100000 s
Minimum Illumination	Color: 0.001 Lux (F1.8, AGC ON); 0 Lux with IR
Day/Night	IR-cut filter with auto switch (ICR)
Digital noise reduction	2D/3D DNR
IR LED Range	Up to 50m (164ft) IR range
WDR	120dB
Video Compression	Ultra 265, H.265, H.264, MJPEG
Signal / Noise Ratio	>55dB
H.264 code profile	Baseline profile, Main Profile, High Profile
Maximum Frame Rate / Stream	Main Stream: 8MP (4096 x 1800): Max. 30 fps; Sub Stream: 1920 x 832: Max. 30 fps; Third Stream: 1280 x 560: Max. 30 fps
HLC, BLC, Defog	Supported
OSD, Privacy, Motion & ROI	Up to 8 areas
Network	
Protocols	IPv4, IGMP, ICMP, ARP, TCP, UDP, DHCP, PPPoE, RTP, RTSP, RTCP, DNS, DDNS, NTP, FTP, UPnP, HTTP, HTTPS, SMTP, 802.1x, SNMP
Network	RJ45: 1 x 100M/1000M Base-FX SFP + 2 x 10M/100M/1000M Base-TX Ethernet
Video Analytics	Behavior, Exception, Identification, Statistical
Compatible Integration	ONVIF (Profile S & G); API
Local & Network Storage	Micro-SD, up to 256GB; ANR
General	
Power	24VAC / 24VDC +/- 25%; Max 40W
Dimensions (L x W x H) & Weight	259 x 211 x 132mm (10.2 x 8.3 x 5.2"); 2.5kg (5.5lb)
Audio I/O & Compression	1 / 1; G711 compression
Alarm I/O	2 / 1
Operating Temperature & Humidity	-40°C ~ + 70°C (-40°F ~ 158°F); Humidity: 10%~ 90% RH (non-condensing)
Conformity Certifications	IP67, CE, FCC

Dimensions



Wall Mount Not Included

Accessories

TR-WE45-D-IN Wall Mount
TR-UP06-A-IN Pole Mount