

12MP, TRUE DAY/NIGHT, WDR, IR, FISHEYE DOME



12MP Fisheye Dome

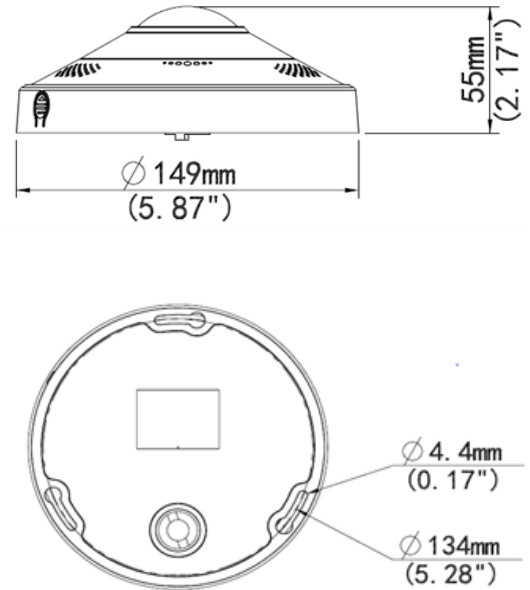
IPFE4K360

- > Exceptional Video Quality with 12MP, Ultra-HD 4000 x 3000 Resolution
- > Super-Efficient H.265 Video Compression for Drastically Reduced Bandwidth and Storage Requirements
- > Embedded IR LED Light, 0Lux Night Time Operation up to 33 Feet
- > Ultra-wide angle, 1.8mm, 360°panoramic lens
- > TRUE Day/Night and Digital WDR functionality for all Lighting Conditions
- > Two-way Audio w/ built-in microphone and speaker, Backlight Compensation, and 3D DNR (Digital Noise Reduction)
- > Supports Distortion Correction and offers Multiple Display Options, such as 180°, 360° Panoramic, PTZ
- > Triple Video Streams
- > ONVIF Profile S Compliant
- > PoE & 12VDC Power Options and Composite Video Output for Test Monitor
- > Built-in Micro-SD Card Slot enables local storage up to 256GB
- > IP66 Weather Resistant & IK10 Impact Resistant, Vandal Housing
- > Optional Wall and Pendant Mounts Available
- > Supported by uniview tec Guard Station Software and Guard Viewer Mobile App's for iPhone and Android Devices

Specifications

Camera	
Sensor	1/1.7", progressive scan, 12 megapixel, CMOS
Lens	1.8mm @ F2.4
Shutter	Auto/Manual, 1/6 s ~ 1/100000 s
Angle of View	360°
Minimum Illumination	Color: 0.05 Lux (F2.4, AGC ON); 0 Lux with IR
Day/Night	IR-cut filter with auto switch (ICR)
Digital noise reduction	2D/3D DNR
IR LED Range	Up to 10m (33ft) IR range
WDR	Digital
Video Compression	Ultra 265, H.265, H.264, MJPEG
H.264 Code Profile	Baseline profile, Main Profile, High Profile
Fisheye Maximum Frame Rate / Stream	Main: 12MP (4000 x 3000) @ 15fps, 9MP (3000 x 3000) @ 15fps or 6MP (2560 x 2560) @ 25fps Sub: 4MP (2000 x 2000) @ 25fps Third Stream: D1 (720 x 576) @ 25fps
Panoramic Maximum Frame Rate	25 fps (3000 x 2000); 15 fps (4000 x 3000, 3000 x 2000, 3000 x 1500)
HLC, BLC, Defog	Supported
OSD, Privacy Mask, Motion Detection & ROI	Up to 8 areas
Network	
Protocols	IPv4, IGMP, ICMP, ARP, TCP, UDP, DHCP, PPPoE, RTP, RTSP, RTCP, DNS, DDNS, NTP, FTP, UPnP, HTTP, HTTPS, SMTP, 802.1x, SNMP
Compatible Integration	ONVIF (Profile S, Profile G), API
Network	RJ45, 10M/100M Base-TX Ethernet
Local & Network Storage	Micro-SD, up to 256GB; ANR
General	
Power	12VDC +/-25%, PoE (IEEE802.3af); Max. 21W
Dimensions (Ø x H) & Weight	Ø149 x 55mm (Ø5.87 x 2.17"); 0.5kg (1.1lb)
Audio I/O & Compression	1 / 1, w/ built-in mic & speaker; G711
Alarm I/O	2 / 1
Video Output	1 BNC, impedance 75 Ω; amplitude 1 V [p-p]
Serial	1 RS485
Operating Temperature & Humidity	-35°C ~ +60°C (-31°F ~ 140°F); Humidity: 10%~95% RH (non-condensing)
Conformity Certifications	IP66, IK10, CE, FCC

Dimensions



Accessories

TR-WM04-IN	Wall Mount
TR-UP06-IN	Pole Mount
TR-JB04-B-IN	Junction Box
TR-CE45-IN	Pendant Mount
TR-UF45-F-IN	Pendant Mount Adapter
TR-UC08-A-IN	Corner Mount (for use w/ TR-WE45-A-IN)
TR-WE45-A-IN	Wall Mount (for use w/ TR-UC08-A-IN)
TR-CM24-IN	Pendant Mount Pipe
TR-SE24-IN	Pendant Mount Pipe
TR-SE24-A-IN	Pendant Mount Pipe