

## ***5MP, TRUE DAY/NIGHT, D-WDR, IR VANDAL DOME***



*Varifocal Lens Vandal Dome*

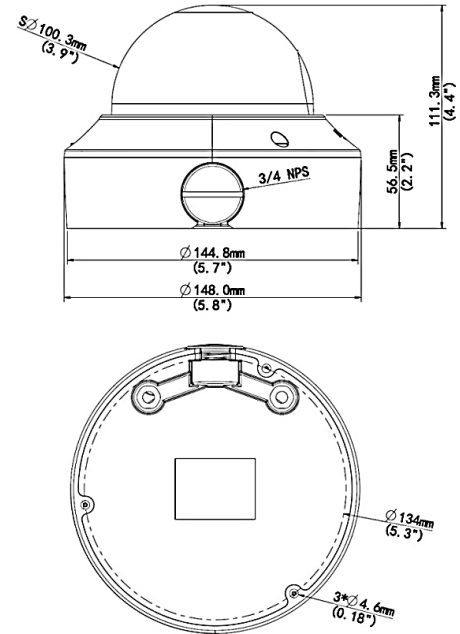
### ***IPV5E212M***

- > Exceptional Video Quality with 5MP, 2592 x 1944 Resolution
- > Super-Efficient H.265 Video Compression for Drastically Reduced Bandwidth and Storage Requirements
- > Powerful, Smart IR LED Lights for 0Lux Night Time Operation up to 98 Feet
- > 2.8 ~ 12mm motorized varifocal, automatic focus lens
- > TRUE Day/Night and Digital-WDR functionality for all Lighting Conditions
- > Backlight Compensation
- > 3D DNR (Digital Noise Reduction)
- > Dual Video Streams
- > ONVIF Profile Series Compliant
- > PoE & 12VDC Power Options
- > Built-in Micro-SD Card Slot enables local storage up to 256GB
- > IP67 Weather Resistant and IK10 Vandal Resistant Rated Vandal Housing
- > Optional Mounts Available
- > Supported by uniview tec Guard Station Software and Guard Viewer Mobile App's for iPhone and Android Devices

## Specifications

Camera	
Sensor	1/3", progressive scan, 5 megapixel, CMOS
Lens	2.8~12 mm, varifocal automatic focusing and motorized zoom lens
Angle of View (H x V)	105.3° ~ 25.4° x 69.5° ~ 18.4° (Wide ~ Tele)
Shutter	Auto/Manual, 1 ~ 1/100000 s
Minimum Illumination	Color: 0.005 Lux (F1.6, AGC ON); 0 Lux with IR
Day/Night	IR-cut filter with auto switch (ICR)
Digital noise reduction	2D/3D DNR
Signal / Noise Ratio	52dB
IR LED Range	Up to 30m (98 ft) IR range
WDR	Digital
Video Compression	Ultra 265, H.265, H.264, MJPEG
H.264 code profile	Baseline profile, Main Profile, High Profile
Maximum Frame Rate / Stream	Main: 5MP (2592 x 1944) @ 20fps Sub: 720P (1280 x 720) @ 20fps
HLC, BLC, Digital Defog	Supported
OSD, Privacy Mask, Motion Detection & ROI	Up to 8 areas
Network	
Protocols	IPv4, IGMP, ICMP, ARP, TCP, UDP, DHCP, RTP, RTSP, RTCP, DNS, DDNS, NTP, FTP, UPnP, HTTP, HTTPS, SMTP, SSL
Compatible Integration	ONVIF (Profile S, Profile T), API
Network	RJ45, 10M/100M Base-TX Ethernet
Local Edge Storage	Micro-SD, up to 256GB
General	
Power	12VDC +/- 25%, PoE (IEEE802.3 af); Power consumption: Max 8.7W
Dimensions (Ø x H) & Weight	Ø148 x 113.3mm (Ø5.8 x 4.4"); 0.92kg (2lb)
Operating Temperature & Humidity	-40°C ~ +60°C (-40°F ~ 140°F); Humidity: 10%~95% RH (non-condensing)
Conformity Certifications	IP67, IK10; CE, FCC

## Dimensions



## Accessories

TR-WM04-IN	Wall Mount
TR-UP06-IN	Pole Mount
TR-JB04-C-IN	Junction Box
TR-CE45-IN	Pendant Mount
TR-UF45-E-IN	Pendant Mount Adapter
TR-FM152-A-IN	In-Ceiling Flush Mount
TR-CM24-IN	Pendant Mount Pipe
TR-SE24-IN	Pendant Mount Pipe
TR-SE24-A-IN	Pendant Mount Pipe