

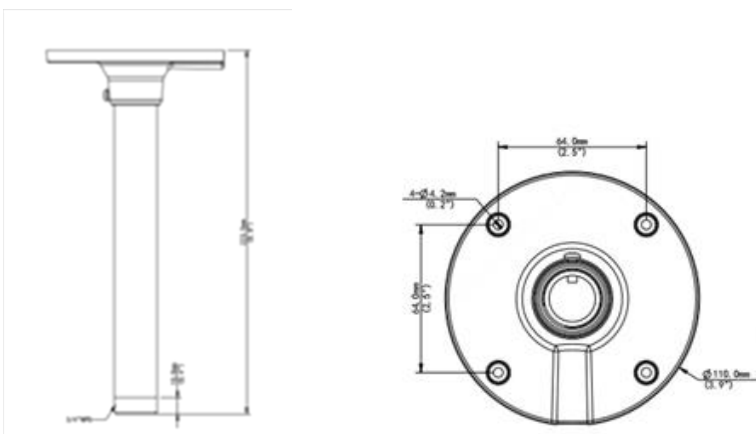
PENDANT MOUNT PIPE



TR-CM24-IN

Specification	Description
Application	Indoor or Outdoor, Camera Dome Pendant Installation
Dimensions	Φ110 x 223.5mm (4.33 x 8.80in)
Weight	0.25kg (0.55lb)
Material	Aluminum Alloy

Dimensions



Note

1. Requires a Junction Box