

4MP, TRUE DAY/NIGHT, D-WDR, IR BULLET



Fixed Lens Bullet

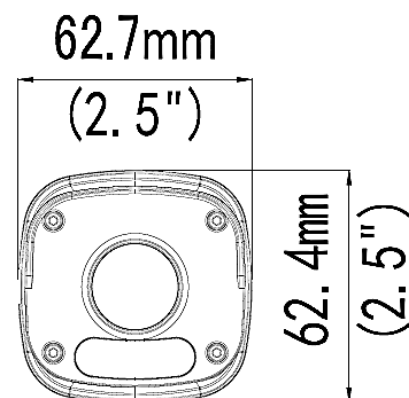
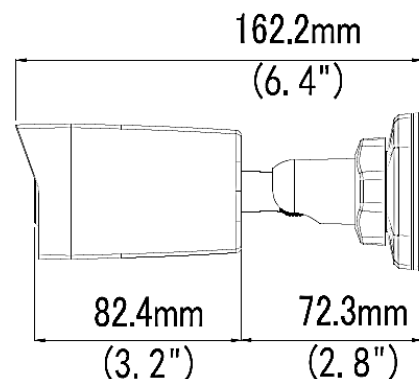
IPB4E40

- > Exceptional Video Quality with 4MP, 2592 x 1520 Resolution
- > Super-Efficient H.265 Video Compression for Drastically Reduced Bandwidth and Storage Requirements
- > Powerful, Smart IR LED Lights for 0Lux Night Time Operation up to 98 Feet
- > 4mm fixed lens
- > TRUE Day/Night and Digital-WDR functionality for all Lighting Conditions
- > Backlight Compensation
- > 3D DNR (Digital Noise Reduction)
- > Privacy Mask and Motion Detection
- > Triple Video Streams
- > ONVIF Profile Series Compliant
- > PoE & 12VDC Power Options
- > IP67 Weather Resistant Housing
- > Optional Mounts Available
- > Supported by uniview tec Guard Station Software and Guard Viewer Mobile App's for iPhone and Android Devices

Specifications

Camera	
Sensor	1/3", progressive scan , 4 megapixel, CMOS
Lens	4mm@ F2.0
Angle of View (H x V)	78.9° x 39.6°
Shutter	Auto/Manual, 1 ~ 1/100000 s
Minimum Illumination	Color: 0.03 Lux (F2.0, AGC ON); 0 Lux with IR
Day/Night	IR-cut filter with auto switch (ICR)
Digital noise reduction	2D/3D DNR
Signal / Noise Ratio	>52dB
IR LED Range	Up to 30m (98 ft) IR range
WDR	Digital
Video Compression	Ultra 265, H.265, H.264, MJPEG
H.264 code profile	Baseline profile, Main Profile, High Profile
Maximum Frame Rate / Stream	Main: 4MP (2592 x 1520) @ 20fps Sub: 720P (1280 x 720) @ 20fps Third Stream: D1 (720 x 576) @ 20fps
HLC, BLC	Supported
OSD, Privacy Mask, Motion Detection & ROI	Up to 8 areas
Network	
Protocols	IPv4, IGMP, ICMP, ARP, TCP, UDP, DHCP, RTP, RTSP, RTCP, DNS, DDNS, NTP, FTP, UPnP, HTTP, HTTPS, SMTP, SSL
Compatible Integration	ONVIF (Profile S, Profile T), API
Network	RJ45, 10M/100M Base-TX Ethernet
General	
Power	12VDC +/- 25%, PoE (IEEE802.3 af); Power consumption: Max 4W
Dimensions (L x W x H) & Weight	162.2 x 62.4 x 62.7mm (6.4 x 2.5 x 2.5"); 0.37kg (0.81lb)
Operating Temperature & Humidity	-30°C ~ +60°C (-22°F ~ 140°F); Humidity: 10%~95% RH (non-condensing)
Conformity Certifications	IP67, CE, FCC

Dimensions



Accessories

TR-UP06-A-IN	Pole Mount
TR-JB05-A-IN	Junction Box