

5MP, TDN, WDR, IR, STARVIEW BULLET



Fixed Lens Bullet

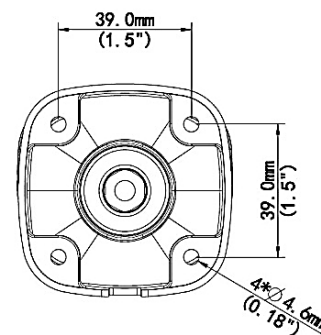
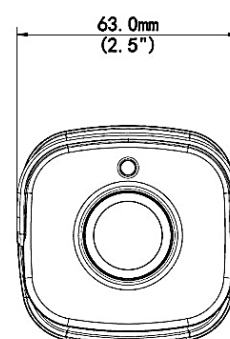
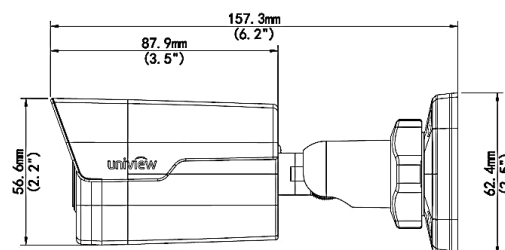
IPB540

- > Starview illumination technology provides crisp color image up to 0.005Lux (F1.6)
- > Exceptional Video Quality with 5MP, 2592 x 1944 Resolution
- > Super-Efficient H.265 Video Compression for Drastically Reduced Bandwidth and Storage Requirements
- > Powerful, Smart IR LED Lights for 0Lux Night Time Operation up to 98 Feet
- > 4mm fixed lens
- > TRUE Day/Night and WDR functionality for all Lighting Conditions
- > One-way Audio w/ built-in microphone, Corridor View, Backlight Compensation and 3D DNR (Digital Noise Reduction)
- > Triple Video Streams, ONVIF Profile S Compliant
- > Powerful Video Analytics such as Behavior, Exception, Identification and Statistical
- > PoE & 12VDC Power Options
- > IP67 Weather Resistant Housing
- > Optional Mounts Available
- > Supported by uniview tec Guard Station Software and Guard Viewer Mobile App's for iPhone and Android Devices

Specifications

| Camera | |
|---|--|
| Sensor | 1/2.7", progressive scan, 5 megapixel, CMOS |
| Lens | 4.0mm@ F1.6 |
| Angle of View (H x V) | 79.7° x 51.8° |
| Shutter | Auto/Manual, 1/6~1/100000 s |
| Minimum Illumination | Color: 0.005 Lux (F1.6, AGC ON); 0 Lux with IR |
| Day/Night | IR-cut filter with auto switch (ICR) |
| Digital noise reduction | 2D/3D DNR |
| IR LED Range | Up to 30m (98 ft) IR range |
| WDR | 120dB |
| Video Compression | Ultra 265, H.265, H.264, MJPEG |
| H.264 code profile | Baseline profile, Main Profile, High Profile |
| Maximum Frame Rate / Stream | Main Stream: 5MP (2592 x 1944) @20 fps; 5MP (2592 x 1944) @25fps (WDR OFF); 4MP (2560 x 1440) @30 fps; 3MP (2048x 1536) @30 fps; 2MP (1920 x 1080) @30 fps Sub: 2MP (1920 x 1080) @ 30fps Third Stream: D1 (720x576) @ 30fps |
| HLC, BLC, 9:16 Corridor, Defog | Supported |
| OSD, Privacy Mask, Motion Detection & ROI | Up to 8 areas |
| Network | |
| Protocols | IPv4, IGMP, ICMP, ARP, TCP, UDP, DHCP, PPPoE, RTP, RTSP, RTCP, DNS, DDNS, NTP, FTP, UPnP, HTTP, HTTPS, SMTP, 802.1x, SNMP |
| Compatible Integration | ONVIF (Profile S, Profile G), API |
| Network | RJ45, 10M/100M Base-TX Ethernet |
| Video Analytics | Behavior, Exception, Identification, Statistical |
| General | |
| Power | 12VDC +/- 25%; PoE (IEEE802.3 af); Max 6.4W |
| Dimensions (Ø x H) & Weight | 157.3 x 62.4 x 63mm (6.2 x 2.5 x 2.5"); 0.45kg (0.99lb) |
| Audio I / O & Compression | 1 / 0, with built-in microphone; G.711 Compression |
| Operating Temperature & Humidity | -35°C ~ +60°C (-31°F ~ 140°F); Humidity: 10%~95% RH (non-condensing) |
| Conformity Certifications | IP67, CE, FCC |

Dimensions



Accessories

| | |
|--------------|--------------|
| TR-UP06-A-IN | Pole Mount |
| TR-JB05-A-IN | Junction Box |