

4MP, TRUE DAY/NIGHT, WDR, IR TURRET DOME



Fixed Lens Turret Dome

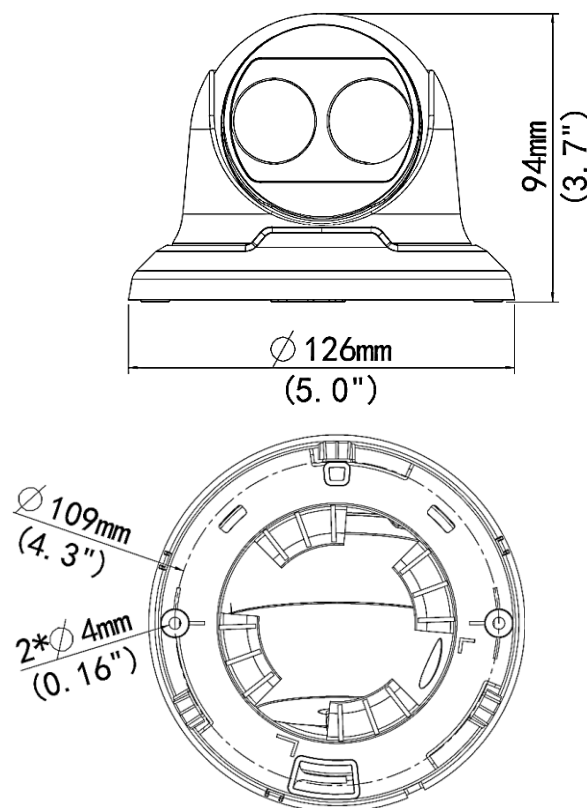
IPT428B

- > Exceptional Video Quality with 4MP, 2592 x 1520 Resolution
- > Super-Efficient H.265 Video Compression for Drastically Reduced Bandwidth and Storage Requirements
- > Powerful, Smart IR LED Lights for 0Lux Night Time Operation up to 98 Feet
- > 2.8mm fixed lens
- > TRUE Day/Night and WDR functionality for all Lighting Conditions
- > Corridor View, Backlight Compensation and 3D DNR (Digital Noise Reduction)
- > Triple Video Streams
- > ONVIF Profile S Compliant
- > Powerful Video Analytics such as Behavior, Exception, Identification and Statistical
- > PoE & 12VDC Power Options
- > IP67 Weather Resistant Housing
- > Optional Mount Available
- > Supported by uniview tec Guard Station Software and Guard Viewer Mobile App's for iPhone and Android Devices

Specifications

| Camera | |
|---|---|
| Sensor | 1/3", progressive scan , 4 megapixel, CMOS |
| Lens | 2.8mm @ F1.8 |
| Angle of View (H) | 101.8° |
| Shutter | Auto/Manual, 1/6 ~ 1/100000 s |
| Minimum Illumination | Color: 0.2 Lux (F1.8, AGC ON); 0 Lux with IR |
| Day/Night | IR-cut filter with auto switch (ICR) |
| Digital noise reduction | 2D/3D DNR |
| IR LED Range | Up to 30m (98 ft) IR range |
| WDR | 120dB |
| Video Compression | Ultra 265, H.265, H.264, MJPEG |
| H.264 code profile | Baseline profile, Main Profile, High Profile |
| Maximum Frame Rate / Stream | Main: 4MP (2592 x 1520)@ 20fps; or (2560 x 1440) @25fps; or 3MP (2048 x 1520) @ 30fps Sub: 2MP (1920 x 1080) @ 30fps Third Stream: D1 (720x576) @ 30fps |
| HLC, BLC, Corridor, Defog | Supported |
| OSD, Privacy Mask, Motion Detection & ROI | Up to 8 areas |
| Network | |
| Protocols | IPv4, IGMP, ICMP, ARP, TCP, UDP, DHCP, PPPoE, RTP, RTSP, RTCP, DNS, DDNS, NTP, FTP, UPnP, HTTP, HTTPS, SMTP, 802.1x, SNMP |
| Compatible Integration | ONVIF (Profile S, Profile G), API |
| Network | RJ45, 10M/100M Base-T X Ethernet |
| Video Analytics | Behavior, Exception, Identification, Statistical |
| General | |
| Power | 12 V DC, PoE (IEEE802.3 af); Power consumption: Max 5.5W |
| Dimensions (Ø x H) & Weight | Ø126 x 94 mm (Ø5 x 3.7"); 0.33kg (0.73lb) |
| Operating Temperature & Humidity | -35°C ~ +60°C (-31°F ~ 140°F); Humidity: 10%~ 95% RH (non-condensing) |
| Conformity Certifications | IP67, CE, FCC |

Dimensions



Accessories

TR-JB03-H-IN-BK Junction Box