

2MP, 30x, TRUE DAY/NIGHT, WDR, IR, PTZ DOME



30x PTZ Dome

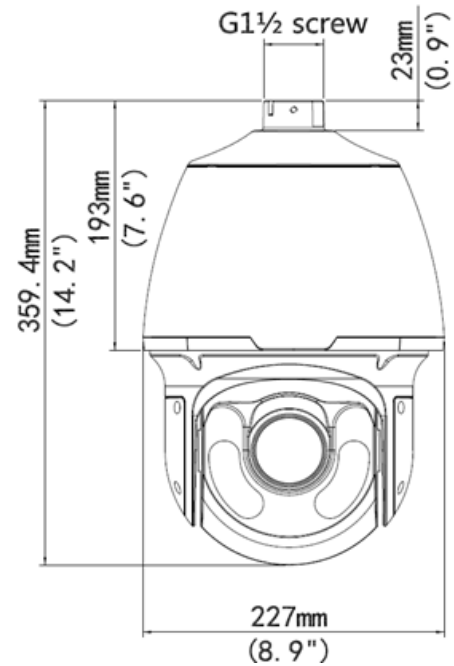
IPCSD230

- > Brilliant Video Quality with 2MP, Full HD 1920 x 1080 Resolution
- > Super-Efficient H.265 Video Compression for Drastically Reduced Bandwidth and Storage Requirements
- > Powerful, Smart IR LED Lights for 0Lux Night Time Operation up to 492 Feet
- > 4.5 ~ 135mm, 30x Optical motorized zoom and automatic focus lens
- > TRUE Day/Night and WDR functionality for all Lighting Conditions
- > Two-way Audio, Backlight Compensation and 3D DNR (Digital Noise Reduction)
- > High Speed up to 300°/sec and up to 1024 Preset Positions
- > Triple Video Streams; ONVIF Profile Series Compliant
- > Powerful Video Analytics such as Behavior, Exception, Identification and Statistical
- > PoE (Optional Injector Required), 24VAC & 24VDC Power Options
- > Built-in Micro-SD Card Slot enables local storage up to 256GB
- > IP66 Weather Resistant Housing
- > Optional Mounts Available
- > Supported by uniview **tec** Guard Station Software and Guard Viewer Mobile App's for iPhone and Android Devices

Specifications

Camera	
Sensor	1/3", progressive scan, 2 megapixel, CMOS
Lens	4.5 ~ 135 mm, automatic focusing and motorized zoom lens
Angle of View (H x V)	71.7° ~ 2.4° x 43.4° ~ 1.3° (wide ~ tele)
Shutter	Auto/Manual, 1 ~ 1/100000 s
Minimum Illumination	Color: 0.01 Lux (F1.5, AGC ON); 0 Lux with IR
Day/Night	IR-cut filter with auto switch (ICR)
Digital noise reduction	2D/3D DNR
IR LED Range	Up to 150m (492ft) IR range
WDR	120dB
Video Compression	Ultra 265, H.265, H.264, MJPEG
H.264 Code Profile	Baseline profile, Main Profile, High Profile
Maximum Frame Rate / Stream	Main: 2MP (1920 x 1080) @ 30fps Sub: 2MP (1920 x 1080) @ 30fps Third Stream: D1 (720 x 576) @ 30fps
HLC, BLC, Defog, EIS	Supported
OSD, Privacy Mask, Motion Detection & ROI	Up to 8 areas
Pan and Tilt, Presets, Patterns, Patrols	360° Endless, 300°/s max Pan; -15° ~ 90° Tilt, 240°/s max; 1024 Presets; 16 Patterns; 16 Patrols
Network	
Protocols	IPv4, IGMP, ICMP, ARP, TCP, UDP, DHCP, PPPoE, RTP, RTSP, RTCP, DNS, DDNS, NTP, FTP, UPnP, HTTP, HTTPS, SMTP, 802.1x, SNMP
Compatible Integration	ONVIF (Profile S, G, and T), API
Network	RJ45, 10M/100M Base-TX Ethernet
Video Analytics	Behavior, Exception, Identification, Statistical
Local & Network Storage	Micro-SD, up to 256GB; ANR
General	
Power	24VAC or 24VDC +/-25%; PoE (Optional Injector Required); Max 9 ~ 42W
Dimensions (Ø x H) & Weight	Ø227 x 359.4mm (Ø8.9 x 14.2"); 5.2kg (11.6lb)
Audio I/O & Compression	1 / 1; G711
Alarm I/O	1 / 1
Operating Temperature & Humidity	-40°C ~ +65°C (-40°F ~ 149°F); Humidity: 10%~95% RH (non-condensing)
Conformity Certifications	IP66, CE, FCC

Dimensions



Accessories

TR-WE45-A-IN	Wall Mount
TR-UP08-A-IN	Pole Mount
TR-UC08-A-IN	Corner Mount
TR-CE45-IN	Pendant Mount
TR-UF45-A-IN	Pendant Mount Adapter
TR-WE45-B-IN	Parapet Mount
KB-1100	Keyboard Controller
RUPTZI-1	PTZ PoE Injector
TR-JB12-IN	Junction Box for TR-WE45-A-IN