

4MP, TRUE DAY/NIGHT, D-WDR, IR, WI-FI BULLET



Fixed Lens Wi-Fi Bullet

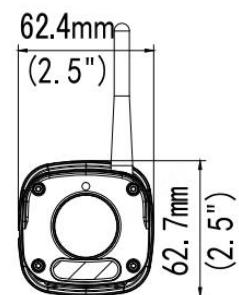
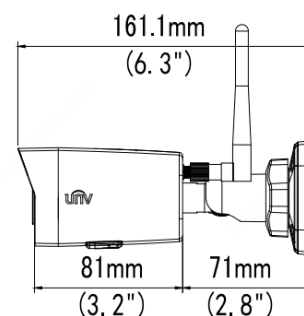
IPBW440

- > Exceptional Video Quality with 4MP, 2560 x 1440 Resolution
- > Super-Efficient H.265 Video Compression for Drastically Reduced Bandwidth and Storage Requirements
- > 4mm Fixed Lens
- > Powerful, Smart IR LED Lights for 0Lux Night Time Operation up to 98 Feet
- > Wireless Video Transmission with Frequency Range of 2.4GHz ~ 2.4835GHz
- > TRUE Day/Night and D-WDR functionality for all Lighting Conditions
- > Triple Video Streams, Backlight Compensation and 3D DNR (Digital Noise Reduction)
- > ONVIF Profile S Compliant & Powerful Video Analytics such as Behavior and Intrusion
- > 12VDC Power and IP67 Weather Resistant Housing
- > Built-in Micro-SD Card Slot enables local storage up to 256GB
- > Optional Mounts Available
- > Supported by uniview tec Guard Station Software and Guard Viewer Mobile App's for iPhone and Android Devices

Specifications

Camera	
Sensor	1/2.7", progressive scan , 4 megapixel, CMOS
Lens / Angle of View (H x V)	4.0mm @ F2.0 / 86.5° x 44.1°
Shutter	Auto/Manual, 1/6 ~ 1/100000 s
Minimum Illumination	Color: 0.02 Lux (F2.0, AGC ON); 0 Lux with IR
Day/Night	IR-cut filter with auto switch (ICR)
Digital noise reduction	2D/3D DNR
IR LED Range	Up to 30m (98 ft) IR range
WDR	Digital
Video Compression	Ultra 265, H.265, H.264, MJPEG
Maximum Frame Rate / Stream	Main: 4MP (2560 x 1440) @ 15fps; or 2MP (1920 x 1080) @ 15fps Sub: 720P (1280 x 720) @ 15fps Third Stream: 4CIF (704 x 576) @ 15fps
HLC, BLC, Defog, OSD, Privacy Mask, Motion Detection & ROI	Supported
Wi-Fi	
Standards, Frequency Range, Bandwidth, Security	IEEE802.11b/g/n; 2.4GHz ~ 2.4835GHz; 20 MHz; 64/128-bit WEP, WPA-PSK/WPA2-PSK
Transmission Power / Rate	802.11b: 17±1.5dBm @ 11Mbps; 802.11g: 14±1.5dBm @ 54Mbps 802.11n: 12.5±1.5dBm @ 150Mbps
Network	
Protocols	IPv4, IGMP, ICMP, ARP, TCP, UDP, DHCP, RTP, RTSP, RTCP, DNS, DDNS, NTP, FTP, UPnP, HTTP, HTTPS, SMTP, QoS
Compatible Integration	ONVIF (Profile S, Profile G, Profile T), API
Network	RJ45, 10M/100M Base-TX Ethernet
Video Analytics	Behavior, Intrusion
General	
Power	12VDC +/- 25% ; Power consumption: Max 4W
Local & Network Storage	Micro-SD, up to 256GB; ANR
Dimensions (L x W x H) & Weight	161.1 x 62.4 x 62.7mm (6.3 x 2.5 x 2.5in); 0.25kg (0.55lb)
Operating Temperature & Humidity	-30°C ~ +60°C (-22°F ~ 140°F); Humidity: 10%~95% RH (non-condensing)
Conformity Certifications	IP67, CE, FCC

Dimensions



Accessories

TR-UP06-A-IN	Pole Mount
TR-JB05-A-IN	Junction Box