

2MP, TDN, WDR, IR, LR LENS, STARLIGHT BULLET



Long Range Lens Bullet

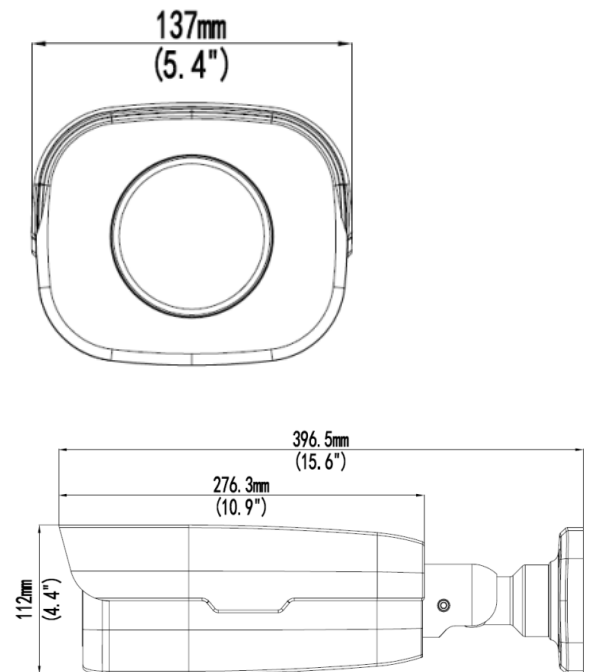
IPB26143M

- > Starlight illumination technology provides crisp color image up to 0.0005Lux (F1.5)
- > Long Range 6.5 ~ 143mm motorized varifocal, automatic focus lens
- > Exceptional Video Quality with 2MP, 1920 x 1080 Resolution
- > Super-Efficient H.265 Video Compression for Drastically Reduced Bandwidth and Storage Requirements
- > Powerful, Smart IR LED Lights for 0Lux Night Time Operation up to 656 Feet
- > TRUE Day/Night and WDR functionality for all Lighting Conditions
- > Two-way Audio, Corridor View, Backlight Compensation and 3D Digital Noise Reduction
- > Triple Video Streams; ONVIF Profile S Compliant; Smart Function Analytics
- > PoE & 24VAC Power Options
- > Built-in Micro-SD Card Slot enables local storage up to 256GB and Automatic Network Replenishment (ANR)
- > IP67 Weather Resistant Housing and Composite Video Output for Test Monitor
- > Optional Mounts Available
- > Supported by uniview tec Guard Station Software and Guard Viewer Mobile App's for iPhone and Android Devices

Specifications

Camera	
Sensor	1/1.8", progressive scan, 2 megapixel, CMOS
Lens	6.5 ~ 143mm, DC Iris, varifocal automatic focusing and motorized zoom lens
Angle of View (H x V)	59° ~ 3° x 34.6° ~ 1.6° (Wide ~ Tele)
Shutter	Auto/Manual, 1 ~ 1/100000 s
Minimum Illumination	Color: 0.0005 Lux (F1.5, AGC ON); 0 Lux with IR
Day/Night	IR-cut filter with auto switch (ICR)
Digital Noise Reduction	2D/3D DNR
IR LED Range	Up to 200m (656ft) IR range
WDR / Signal : Noise Ratio	120dB / >52dB
Video Compression / H.264 Code	Ultra 265, H.265, H.264, MJPEG / Baseline profile, Main Profile, High Profile
Maximum Frame Rate / Stream	Main Stream: 2MP (1920 x 1080): Max. 60 fps; Sub Stream: 2MP (1920 x 1080): Max. 60 fps; Third Stream: D1 (720 x 576): Max. 60 fps
HLC, BLC, 9:16 Corridor, Defog	Supported
OSD, Privacy, Motion & ROI	Up to 8 areas
Network	
Protocols	IPv4, IGMP, ICMP, ARP, TCP, UDP, DHCP, PPPoE, RTP, RTSP, RTCP, DNS, DDNS, NTP, FTP, UPnP, HTTP, HTTPS, SMTP, 802.1x, SNMP, QoS
Network	RJ45, 10M/100M Base-TX Ethernet
Smart Function Analytics	Tampering Alarm, Alarm input / output, RTSP & User Authentication, Access Policy, ARP Protection,
Compatible Integration	ONVIF (Profile S, G & T); API
Local & Network Storage	Micro-SD, up to 256GB; ANR
General	
Power	24VAC +/- 25%, PoE (IEEE802.3 at); Max 21W
Dimensions (L x W x H) & Weight	396.5 x 137 x 112mm (15.6 x 5.4 x 4.4"); 3.7kg (8.2lb)
Audio I/O & Compression	1 / 1; G.711 compression
Alarm I/O & Serial Port	2 / 1; 1 x RS485
Video Output	1 x BNC; Impedance 75 Ω; Amplitude 1 V [p-p]
Operating Temperature & Humidity	-40°C ~ +60°C (-40°F ~ 140°F); Humidity: 10%~95% RH (non-condensing)
Conformity Certifications	IP67, CE, FCC

Dimensions



Accessories

See Camera Accessories Guide