

4MP, TRUE DAY/NIGHT, WDR, IR BULLET



Varifocal Lens Bullet

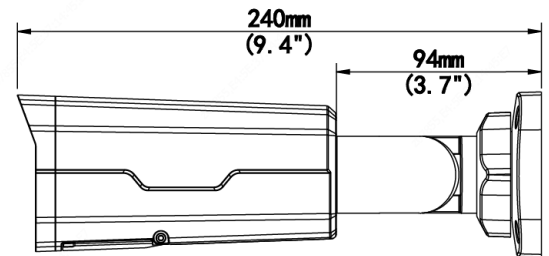
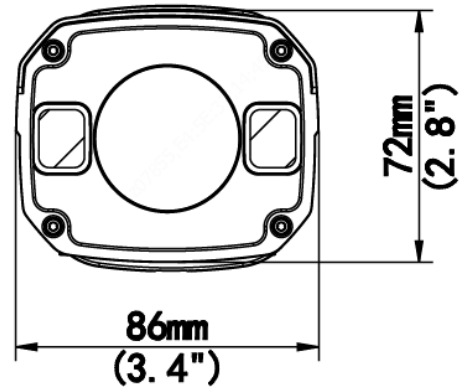
IPB4212MX

- > Fully Adheres to National Defense Authorization Act (NDAA) Guidelines
- > Exceptional Video Quality with 4MP, 2688 x 1520 Resolution
- > Super-Efficient H.265 Video Compression for Drastically Reduced Bandwidth and Storage Requirements
- > Powerful, Smart IR LED Lights for 0Lux Night Time Operation up to 164 Feet
- > 2.8 ~ 12mm motorized varifocal, automatic focus lens
- > TRUE Day/Night and WDR functionality for all Lighting Conditions
- > Two-way Audio, Backlight Compensation and 3D DNR (Digital Noise Reduction)
- > Triple Video Streams; ONVIF Profile S Compliant
- > Powerful Video Analytics such as Intrusion, Tampering, Audio and Human Body Detection
- > PoE & 12VDC Power Options
- > Built-in Micro-SD Card Slot enables local storage up to 256GB
- > IP67 Weather Resistant Housing
- > Optional Mounts Available
- > Supported by uniview tec Guard Station Software and Guard Viewer Mobile App's for iPhone and Android Devices

Specifications

Camera	
Sensor	1/3", progressive scan, 4 megapixel, CMOS
Lens	2.8~12 mm, varifocal automatic focusing and motorized zoom lens
Angle of View (H x V)	98.26° ~ 31.35° x 54.76° ~ 18.55° (Wide ~ Tele)
Shutter	Auto/Manual, 1/6 ~ 1/100000 s
Minimum Illumination	Color: 0.003 Lux (F1.6, AGC ON); 0 Lux with IR
Day/Night	IR-cut filter with auto switch (ICR)
Digital noise reduction	2D/3D DNR
IR LED Range	Up to 50m (164 ft) IR range
WDR	120dB
Video Compression	Ultra 265, H.265, H.264, MJPEG
H.264 code profile	Baseline profile, Main Profile, High Profile
Maximum Frame Rate / Stream	Main: 4MP (2688 x 1520) @ 30fps; or (2560 x 1440) @ 30fps; or 3MP (2304 x 1296) @ 30fps; or 1080P (1920 x 1080) @ 30fps Sub: 4CIF (704 x 576) @ 30fps Third Stream: CIF (352 x 288) @ 30fps
HLC, BLC, Defog, Flip	Supported
OSD, Privacy Mask, Motion Detection & ROI	Up to 4 areas
Network	
Protocols	IPv4, IGMP, ICMP, ARP, TCP, UDP, DHCP, RTP, RTSP, RTCP, DNS, DDNS, NTP, FTP, UPnP, HTTP, HTTPS, SMTP, SSL
Compatible Integration	ONVIF (Profile S, Profile G), API
Network	RJ45, 10M/100M Base-TX Ethernet
Video Analytics	Intrusion, Human Body Detection, Motion Detection, Tampering Alarm, Audio Detection
Local & Network Storage	Micro-SD, up to 256GB; ANR
General	
Power	12VDC +/- 25%; PoE (IEEE802.3 af); Power consumption: Max 9.5W
Dimensions (L x W x H) & Weight	240 x 86 x 72mm (9.4 x 3.4 x 2.8"); 1kg (2.2lb)
Audio I/O & Comp; Alarm I/O	Audio 1 / 1; G.711 Compression; Alarm 1/1
Operating Temperature & Humidity	-30°C ~ +60°C (-22°F ~ 140°F); Humidity: 10%~95% RH (non-condensing)
Conformity Certifications	IP67, CE, FCC

Dimensions



Accessories

See Camera Accessories Guide