

4K, TRUE DAY/NIGHT, WDR, IR BULLET



Varifocal Lens Bullet

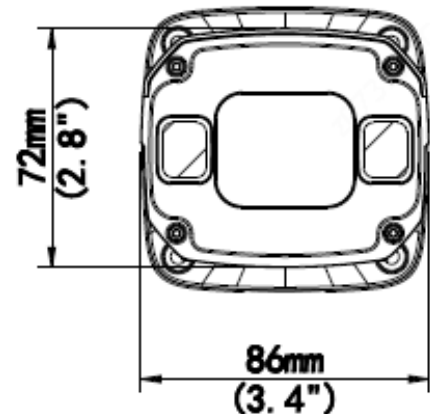
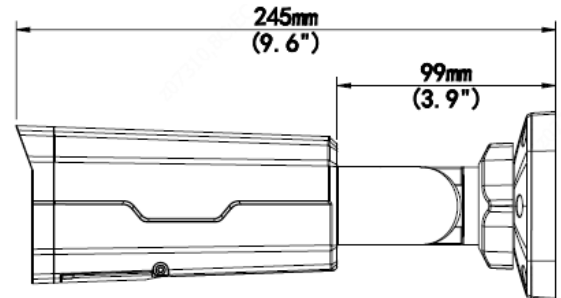
IPB4K212MX

- > Fully Adheres to National Defense Authorization Act (NDAA) Guidelines
- > Exceptional Video Quality with 4K (8MP), 3840 x 2160 Resolution
- > Super-Efficient H.265 Video Compression for Drastically Reduced Bandwidth and Storage Requirements
- > Powerful, Smart IR LED Lights for 0Lux Night Time Operation up to 164 Feet
- > 2.8 ~ 12mm motorized varifocal, automatic focus lens
- > TRUE Day/Night and WDR functionality for all Lighting Conditions
- > Two-way Audio, Corridor View, Backlight Compensation and 3D DNR (Digital Noise Reduction)
- > Triple Video Streams; ONVIF Profile S Compliant
- > Powerful Intelligent Video Analytics
- > PoE & 12VDC Power Options
- > Built-in Micro-SD Card Slot enables local storage up to 256GB
- > IP67 Weather Resistant Housing
- > Optional Mounts Available
- > Supported by uniview tec Guard Station Software and Guard Viewer Mobile App's for iPhone and Android Devices

Specifications

Camera	
Sensor	1/2.8", progressive scan, 8 megapixel, CMOS
Lens	2.8 ~ 12 mm, varifocal automatic focusing and motorized zoom lens
Angle of View (H x V)	107.4° ~ 29.2° x 54.2° ~ 16.3° (Wide ~ Tele)
Shutter	Auto/Manual, 1/6 ~ 1/100000 s
Minimum Illumination	Color: 0.003 Lux (F1.6, AGC ON); 0 Lux with IR
Day/Night	IR-cut filter with auto switch (ICR)
Digital noise reduction	2D/3D DNR
IR LED Range / Wavelength	Up to 50m (164ft) IR range / 850nm
WDR	120dB
Video Compression	Ultra 265, H.265, H.264, MJPEG
H.264 code profile	Baseline profile, Main Profile, High Profile
Maximum Frame Rate / Stream	Main: 8MP (3840 x 2160) @ 20fps; 5MP (3072 x 1728) @ 30fps; 4MP (2560 x 1440) @ 30fps; 2MP (1920 x 1080) @ 30fps Sub: 2MP (1920 x 1080) @ 30fps Third Stream: D1 (720 x 576) @ 30fps
HLC, BLC, 9:16 Corridor, Defog	Supported
OSD, Privacy, Motion & ROI	Up to 8 areas
Network	
Protocols	IPv4, IGMP, ICMP, ARP, TCP, UDP, DHCP, RTP, RTSP, RTCP, DNS, DDNS, NTP, FTP, UPnP, HTTP, HTTPS, SMTP, SSL, SNMP
Network	RJ45, 10M/100M Base-TX Ethernet
Smart Intrusion Video Analytics	Cross line, intrusion, enter area, leave area detection
Compatible Integration	ONVIF (Profile S, G, T); API
Local & Network Storage	Micro-SD, up to 256GB; ANR
General	
Power	12VDC +/- 25%, PoE (IEEE802.3 af); Max 10W
Dimensions (L x W x H) & Weight	245 x 86 x 72mm (9.6 x 3.4 x 2.8"); 0.92kg (2.03lb)
Audio I/O & Compression	1 / 1; G711 compression
Alarm I/O	1 / 1
Operating Temperature & Humidity	-30°C ~ +60°C (-22°F ~ 140°F); Humidity: 10%~95% RH (non-condensing)
Conformity Certifications	IP67, IK10, CE, FCC

Dimensions



Accessories

TR-UP06-B-IN	Pole Mount
TR-JB07-D-IN	Junction Box
TR-A01-IN	Waterproof Grommet