

## **4K (8MP), TRUE DAY/NIGHT, WDR, IR, BULLET**



*Fixed Lens Bullet*

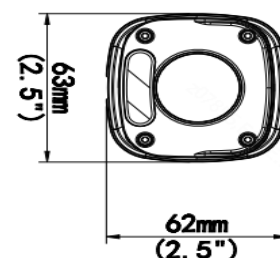
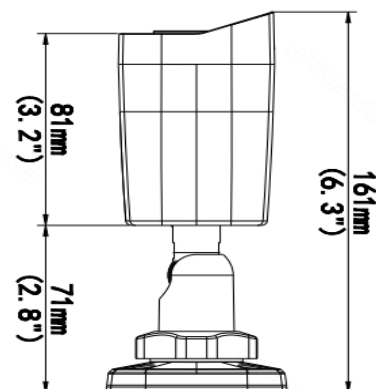
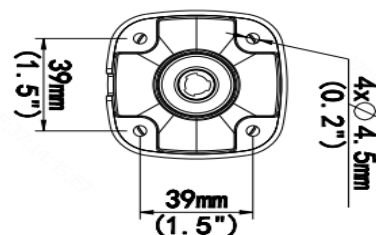
### **IPB4K28X**

- > Fully Adheres to National Defense Authorization Act (NDAA) Guidelines
- > Exceptional Video Quality with 4K (8MP), 3840 x 2160 Resolution
- > Super-Efficient H.265 Video Compression for Drastically Reduced Bandwidth and Storage Requirements
- > Powerful, Smart IR LED Lights for 0Lux Night Time Operation up to 98 Feet
- > 2.8mm fixed lens
- > TRUE Day/Night and WDR functionality for all Lighting Conditions
- > Backlight Compensation and 3D DNR (Digital Noise Reduction)
- > Triple Video Streams
- > ONVIF Profile S Compliant
- > Powerful Video Analytics such as Intrusion, Tampering, Audio and Human Body Detection
- > PoE & 12VDC Power Options
- > IP67 Weather Resistant Housing
- > Optional Mounts Available
- > Supported by uniview tec Guard Station Software and Guard Viewer Mobile App's for iPhone and Android Devices

## Specifications

Camera	
Sensor	1/3", progressive scan , 8 megapixel, CMOS
Lens	2.8mm @ F2.0
Angle of View (H x V)	112.7° x 60.1°
Shutter	Auto/Manual, 1/6~1/100000 s
Minimum Illumination	Color: 0.05 Lux (F2.0, AGC ON); 0 Lux with IR
Day/Night	IR-cut filter with auto switch (ICR)
Digital noise reduction	2D/3D DNR
IR LED Range	Up to 30m (98 ft) IR range
WDR	120dB
Video Compression	Ultra 265, H.265, H.264, MJPEG
H.264 code profile	Baseline profile, Main Profile, High Profile
Maximum Frame Rate / Stream	Main: 8MP (3840 × 2160) @ 20 fps; 5MP (2944 × 1656): @ 30 fps; 4MP (2560 × 1440): @ 30 fps; 2MP (1920 × 1080): @ 30 fps Sub: 720P (1280 × 720): @ 20 fps Third Stream: 4CIF (704 × 576) @ 20fps
Video Bit Rate	128 Kbps~16 Mbps
HLC, BLC, Flip, Defog	Supported
OSD, Privacy Mask, Motion Detection & ROI	Up to 4 areas
Network	
Protocols	IPv4, IGMP, ICMP, ARP, TCP, UDP, DHCP, RTP, RTSP, RTCP, DNS, DDNS, NTP, FTP, UPnP, HTTP, HTTPS, SMTP, SSL, QoS
Compatible Integration	ONVIF (Profile S, Profile T), API
Network	RJ45, 10M/100M Base-TX Ethernet
Video Analytics	Intrusion, Human Body Detection, Motion detection, Tampering alarm
General	
Power	12VDC +/- 25%, PoE (IEEE802.3 af); Max 5.5W
Dimensions (L x W x H) & Weight	161 × 62 × 62mm (6.3 × 2.5 × 2.5"); 0.45kg (0.99lb)
Adjustment Range	Pan: 0°~360° Tilt: 0° ~ 90° Rotation: 0°~360°
Operating Temperature & Humidity	-30°C ~ +60°C (-22°F ~ 140°F); Humidity: 10%~95% RH (non-condensing)
Conformity Certifications	IP67, CE, FCC

## Dimensions



## Accessories

See Camera Accessories Guide