

12MP, 22x, TRUE DAY/NIGHT, WDR, IR, PTZ DOME



22x PTZ Dome

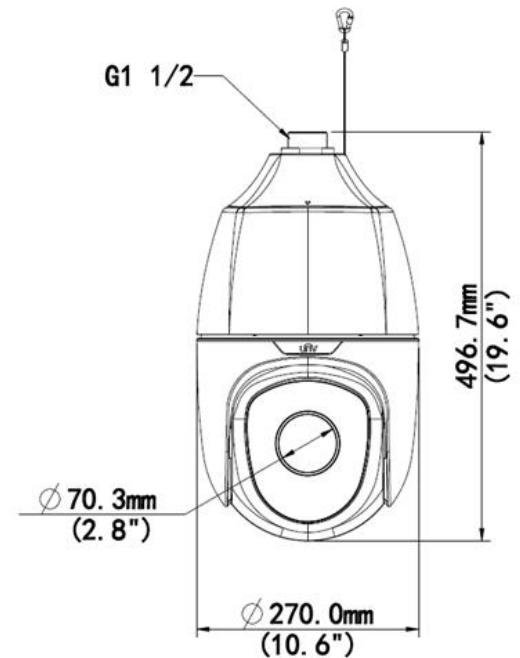
IPCSD4K22

- > Exceptional Video Quality with 12MP, Ultra-HD 4000 x 3000 Resolution
- > Super-Efficient H.265 Video Compression for Drastically Reduced Bandwidth and Storage Requirements
- > Ultra-Powerful, Smart IR LED Lights for 0Lux Night Time Operation up to 825 Feet
- > 6.5 ~ 143mm, 22x Optical motorized zoom and automatic focus lens
- > TRUE Day/Night and Digital WDR functionality for all Lighting Conditions
- > Two-way Audio, Backlight Compensation and 3D DNR (Digital Noise Reduction)
- > High Speed up to 300°/sec and up to 1024 Preset Positions
- > Triple Video Streams; ONVIF Profile Series Compliant
- > Powerful Video Analytics such as Behavior, Exception, Identification and Statistical
- > 24VAC & 24VDC Power Options and Composite Video Output for Test Monitor
- > Built-in Micro-SD Card Slot enables local storage up to 256GB
- > IP66 Weather Resistant Housing
- > Optional Mounts Available
- > Supported by uniview tec Guard Station Software and Guard Viewer Mobile App's for iPhone and Android Devices

Specifications

Camera	
Sensor	1/1.7", progressive scan , 12 megapixel, CMOS
Lens	6.5 ~ 143 mm, automatic focusing and motorized zoom lens
Angle of View (H x V)	56.69° ~ 3.19° x 34.2° ~ 1.6° (wide ~ tele)
Shutter	Auto/Manual, 1 ~ 1/100000 s
Minimum Illumination	Color: 0.01 Lux (F1.5, AGC ON); 0 Lux with IR
Day/Night	IR-cut filter with auto switch (ICR)
Digital noise reduction	2D/3D DNR
IR LED Range	Up to 250m (825ft) IR range
WDR	Digital
Video Compression	Ultra 265, H.265, H.264, MJPEG
Maximum Frame Rate / Stream	Main: 12MP (4000 x 3000) @ 20fps, 8MP (3840 x 2160) @ 25fps or 2MP (1920 x 1080) @ 30fps Sub: 2MP (1920 x 1080) @ 30fps Third Stream: D1 (720 x 576) @ 30fps
HLC, BLC, Defog, EIS	Supported
OSD, Privacy Mask, Motion Detection & ROI	Up to 8 areas
Pan and Tilt	360° Endless Pan, 300°/s max speed; -15° ~ 90° Tilt, 240°/s max speed
Presets, Patterns, Patrols	1024 Presets; 16 Patterns; 16 Patrols
Network	
Protocols	IPv4, IGMP, ICMP, ARP, TCP, UDP, DHCP, PPPoE, RTP, RTSP, RTCP, DNS, DDNS, NTP, FTP, UPnP, HTTP, HTTPS, SMTP, 802.1x, SNMP
Compatible Integration	ONVIF (Profile S, G and T), API
Network	RJ45, 10M/100M/1000M Base-TX Ethernet
Video Analytics	Behavior, Exception, Identification, Statistical
Local & Network Storage	Micro-SD, up to 256GB; ANR
General	
Power	24VAC or 24VDC +/- 25%; Max 16 ~ 56W
Dimensions (Ø x H) & Weight	Ø270 x 496.7mm (Ø10.6 x 19.6"); 9.69kg (21.4lb)
Audio I/O & Compression	1 / 1; G711
Alarm I/O & Serial Port	2 / 1; 1 x RS485
Video Output & Serial Port	1 BNC, impedance 75 Ω; amplitude 1 V [p-p]
Operating Temperature & Humidity	-40°C ~ +70°C (-40°F ~ 158°F); Humidity: 10%~95% RH (non-condensing)
Conformity Certifications	IP66, CE, FCC

Dimensions



Accessories

See Camera Accessories Guide