

## **5MP, TDR, WDR, IR, STARVIEW VANDAL DOME**



*Varifocal Lens Vandal Dome*

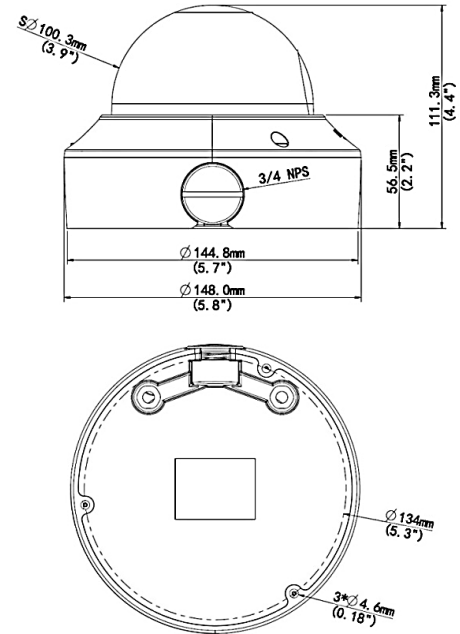
### **IPV5213M**

- > Starview illumination technology provides crisp color image up to 0.002Lux (F1.2)
- > Exceptional Video Quality with 5MP, 2592 x 1944 Resolution
- > Super-Efficient H.265 Video Compression for Drastically Reduced Bandwidth and Storage Requirements
- > Powerful, Smart IR LED Lights for 0Lux Night Time Operation up to 98 Feet
- > 2.7 ~ 13.5mm motorized varifocal, automatic focus lens
- > TRUE Day/Night and WDR functionality for all Lighting Conditions
- > Two-way Audio, Corridor View, Backlight Compensation and 3D DNR
- > Triple Video Streams; ONVIF Profile S Compliant
- > Powerful Video Analytics such as Behavior, Exception, Identification and Statistical
- > PoE & 12VDC Power Options and Composite Video Output for Test Monitor
- > Built-in Micro-SD Card Slot enables local storage up to 256GB
- > IP67 Weather Resistant and IK10 Vandal Resistant Rated Vandal Housing, with Optional Wall and Pendant Mounts Available
- > Supported by uniview tec Guard Station Software and Guard Viewer Mobile App's for iPhone and Android Devices

## Specifications

Camera	
Sensor	1/2.7", progressive scan , 5 megapixel, CMOS
Lens	2.7 ~ 13.5mm, varifocal automatic focusing and motorized zoom lens
Angle of View (H x V)	93.38° ~ 28.56° x 88° ~ 16.4° (wide ~ tele)
Shutter	Auto/Manual, 1 ~ 1/100000 s
Minimum Illumination	Color: 0.002 Lux (F1.2, AGC ON); 0 Lux with IR
Day/Night	IR-cut filter with auto switch (ICR)
Digital noise reduction	2D/3D DNR
IR LED Range	Up to 30m (98 ft) IR range
WDR	120dB
Video Compression	Ultra 265, H.265, H.264, MJPEG
H.264 code profile	Baseline profile, Main Profile, High Profile
Maximum Frame Rate / Stream	Main Stream: 5MP (2592 x 1944) @20 fps; 5MP (2592 x 1944) @25fps (WDR OFF); 4MP (2560 x 1440) @30 fps; 3MP (2048x 1536) @30 fps; 2MP (1920 x 1080) @30 fps Sub: 2MP (1920 x 1080) @30fps Third Stream: D1 (720x576) @30fps
HLC, BLC, 9:16 Corridor, Defog	Supported
OSD, Privacy, Motion & ROI	Up to 8 areas
Network	
Protocols	IPv4, IGMP, ICMP, ARP, TCP, UDP, DHCP, PPPoE, RTP, RTSP, RTCP, DNS, DDNS, NTP, FTP, UPnP, HTTP, HTTPS, SMTP, 802.1x, SNMP
Compatible Integration	ONVIF (Profile S, Profile G), API
Network	RJ45, 10M/100M Base-TX Ethernet
Video Analytics	Behavior, Exception, Identification, Statistical
Local & Network Storage	Micro-SD, up to 256GB; ANR
General	
Power	12VDC +/- 25%, PoE (IEEE802.3 af); Max 8W
Dimensions (Ø x H) & Weight	Ø148 x 111.3mm (Ø5.8 x 4.4"); 0.75kg (1.7lb)
Audio I/O & Compression	1 / 1; G711 compression
Video Output	1 BNC, impedance 75 Ω; amplitude 1 V [p-p]
Alarm I/O	1 / 1
Operating Temperature & Humidity	-40°C ~ +60°C (-40°F ~ 140°F); Humidity: 10%~95% RH (non-condensing)
Conformity Certifications	IP67, IK10; CE, FCC

## Dimensions



## Accessories

See Camera Accessories Guide