

4MP, TDN, WDR, IR, LOW PROFILE INTERIOR DOME



Interior Low Profile Dome

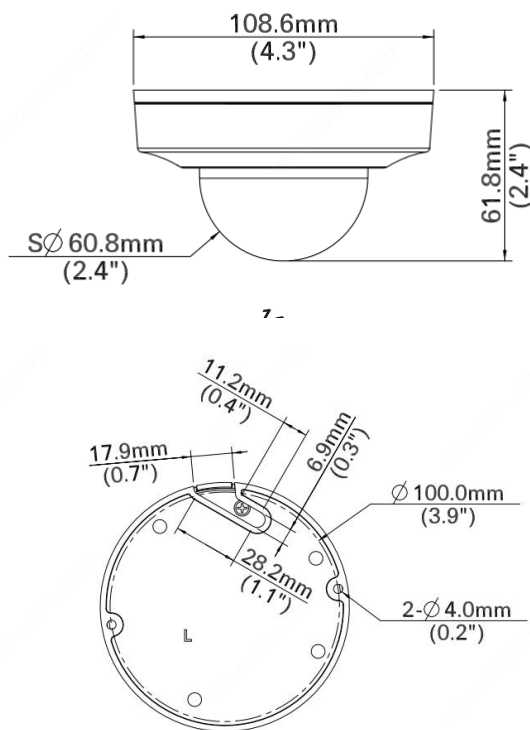
IPFDLP428X

- > Fully Adheres to National Defense Authorization Act (NDAA) Guidelines
- > Exceptional Video Quality with 4MP, 2688 x 1520 Resolution
- > Super-Efficient H.265 Video Compression for Drastically Reduced Bandwidth and Storage Requirements
- > 2.8mm, wide-angle, fixed lens
- > Powerful, Smart IR LED Lights for 0 Lux Night Time Operation up to 98 Feet
- > TRUE Day/Night and WDR functionality for all Lighting Conditions
- > Two-way Audio w/ Built-in Mic, Backlight Compensation and 3D DNR (Digital Noise Reduction)
- > Triple Video Streams; ONVIF Profile Series Compliant
- > Powerful Video Analytics such as Intrusion, Tampering, Audio and Human Body Detection
- > Built-in Micro-SD Card Slot enables local storage up to 256GB
- > 3-way Axis, PoE & 12VDC Power Options and Optional Mounts Available
- > Supported by uniview tec Guard Station Software and Guard Viewer Mobile App's for iPhone and Android Devices

Specifications

Camera	
Sensor	1/3", progressive scan , 4 megapixel, CMOS
Lens	2.8mm @ F2.0
Angle of View (H x V)	95.8° x 55.2°
Shutter	Auto/Manual, 1 ~ 1/100000 s
Minimum Illumination	Color: 0.01 Lux (F2.0, AGC ON); 0 Lux with IR
Day/Night	IR-cut filter with auto switch (ICR)
Digital noise reduction	2D/3D DNR
IR LED Range	Up to 30m (98ft) IR range
WDR	120dB
Video Compression	Ultra 265, H.265, H.264, MJPEG
H.264 code profile	Baseline profile, Main Profile, High Profile
Maximum Frame Rate / Stream	Main: 4MP (2688 x 1520) @ 30fps; (2560 x 1440) @ 30fps; 3MP (2304 x 1296) @ 30fps Sub: 4CIF (704 x 576) @ 30fps Third Stream: CIF (352 x 288) @ 30fps
HLC, BLC, Flip, Defog	Supported
OSD, Privacy Mask, Motion Detection & ROI	Up to 4 areas
Network	
Protocols	IPv4, IGMP, ICMP, ARP, TCP, UDP, DHCP, RTP, RTSP, RTCP, DNS, DDNS, NTP, FTP, UPnP, HTTP, HTTPS, SMTP, SSL, QoS
Compatible Integration	ONVIF (Profile S, G, T), API
Network	RJ45, 10M/100M Base-TX Ethernet
Behavior Video Analytics	Intrusion, Human Body Detection, Motion detection, Tampering alarm, Audio Detection
Local Storage	Micro-SD, up to 256GB
Network Storage	Automatic Network Replenishment (ANR)
General	
Power	12VDC +/-25%, PoE (IEEE802.3 af); Power consumption: Max 5.5W
Dimensions (Ø x H) & Weight	Ø108.6 x 61.8 mm (Ø4.28" x 2.43"); 0.22kg (0.49lb)
Audio I/O & Compression	1 / 1, w/ built-in Mic; G.711 Compression
Operating Temperature & Humidity	-35°C ~ +60°C (-31°F ~ 140°F); Humidity: 10%~95% RH (non-condensing)
Conformity Certifications	CE, FCC

Dimensions



Accessories

See Camera Accessories Guide