

2MP, 33x, LIGHTHUNTER, WDR, IR, PTZ DOME



33x PTZ Dome

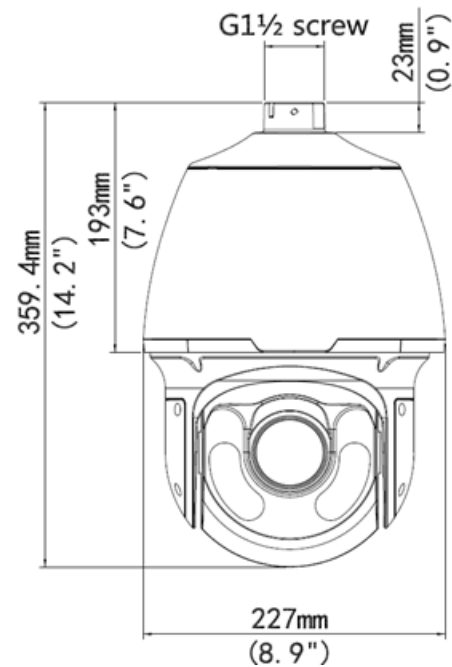
IPCSD233X

- > Fully Adheres to National Defense Authorization Act (NDAA) Guidelines
- > LightHunter illumination technology ensures ultra-high image quality in low light applications up to 2MP, Full HD 1920 x 1080 Resolution
- > Super-Efficient H.265 Video Compression for Drastically Reduced Bandwidth and Storage Requirements
- > Powerful, Smart IR LED Lights for 0Lux Night Time Operation up to 492 Feet
- > 4.5 ~ 148.5mm, 33x Optical motorized zoom and automatic focus lens
- > TRUE Day/Night and WDR functionality for all Lighting Conditions
- > Two-way Audio, Backlight Compensation and 3D DNR (Digital Noise Reduction)
- > High Speed up to 300°/sec and up to 1024 Preset Positions
- > Five Video Streams; ONVIF Profile Series Compliant
- > Intelligent Perimeter Protection with Smart Intrusion Detection Analytics
- > Built-in Micro-SD Card Slot enables local storage up to 256GB
- > IP66 Weather Resistant Housing; Optional Mounts Available; PoE, 24VAC/DC Power
- > Supported by uniview tec Guard Station Software and Guard Viewer Mobile App's for iPhone and Android Devices

Specifications

Camera	
Sensor	1/2.8", progressive scan, 2 megapixel, CMOS
Lens	4.5 ~ 148.5 mm, auto focus / MTR zoom lens
Angle of View (H x V)	56.2° ~ 2.6° x 33.5° ~ 1.4° (wide ~ tele)
Shutter	Auto/Manual, 1 ~ 1/100000 s
Minimum Illumination	Color: 0.001 Lux (F1.5, AGC ON); 0 Lux with IR
Day/Night	IR-cut filter with auto switch (ICR)
Digital noise reduction	2D/3D DNR
IR LED Range	Up to 150m (492ft) IR range
WDR	120dB
Video Compression	Ultra 265, H.265, H.264, MJPEG
H.264 Code Profile	Baseline profile, Main Profile, High Profile
Maximum Frame Rate / Stream	Main: 2MP (1920 x 1080) @ 60fps Sub: 2MP (1920 x 1080) @ 60fps Third, Fourth & Fifth Streams: D1 (720*576), Max 60fps
HLC, BLC, Defog, Flip	Supported
OSD, Privacy Mask, Motion Detection & ROI	Up to 8 areas
Pan and Tilt, Presets, Patterns, Patrols	360° Endless, 300°/s max Pan; -15° ~ 90° Tilt, 240°/s max; 1024 Presets
Network	
Protocols	IPv4, IGMP, ICMP, ARP, TCP, UDP, DHCP, PPPoE, RTP, RTSP, RTCP, DNS, DDNS, NTP, FTP, UPnP, HTTP, HTTPS, SMTP, 802.1x, SNMP, QoS, RTMP
Compatible Integration	ONVIF (Profile S, G, and T), API
Network	RJ45, 10M/100M Base-TX Ethernet
Smart Intrusion Prevention	Cross Line, Intrusion, Enter/Leave Area Detection
Local & Network Storage	Micro-SD, up to 256GB; ANR
General	
Power	24VAC or 24VDC +/-25%; PoE (Optional Injector Required); Max 48W
Dimensions (Ø x H) & Weight	Ø227 x 359.4mm (Ø8.9 x 14.2"); 5.3kg (11.68lb)
Audio I/O & Compression	1 / 1; G.711U, G.711A
Alarm I/O / Serial Port	2 / 1; 1 x RS485
Operating Temperature & Humidity	-40°C ~ +65°C (-40°F ~ 149°F); Humidity: 10%~95% RH (non-condensing)
Conformity Certifications	IP66, CE, FCC

Dimensions



Accessories

See Camera Accessories Guide