

## **4MP, TRUE DAY/NIGHT, WDR, IR TURRET DOME**



### *Fixed Lens Turret Domes*

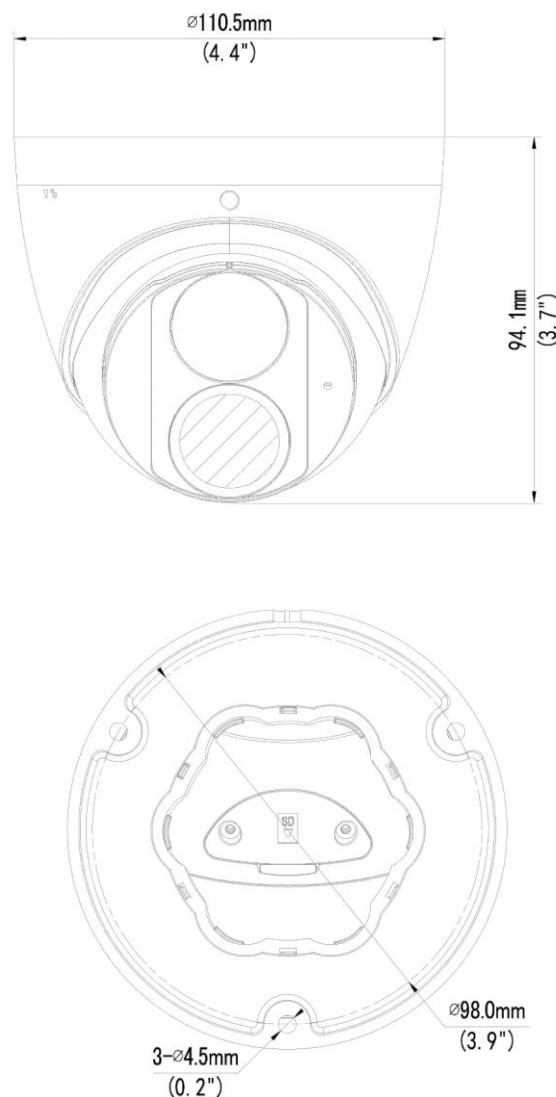
## **IPT440AIX**

- > Fully Adheres to National Defense Authorization Act (NDA) Guidelines
- > LightHunter illumination technology ensures ultra-high color image up to 0.003 Lux (F1.6)
- > Exceptional Video Quality with 4MP, 2688 x 1520 Resolution
- > Super-Efficient H.265 Video Compression for Drastically Reduced Bandwidth and Storage Requirements
- > Powerful, Smart IR LED Lights for 0Lux Night Time Operation up to 98 Feet
- > 4mm fixed lens; Triple Video Streams & ONVIF Profile S Compliant
- > TRUE Day/Night and WDR functionality for all Lighting Conditions
- > One-way Audio, Backlight Compensation and 3D DNR (Digital Noise Reduction)
- > Corridor View, Triple Video Streams & ONVIF Profile S Compliant
- > Intelligent, smart intrusion prevention technology for significantly reduced false alarms when focusing on humans and motor vehicles
- > Built-in Micro-SD Card Slot enables local storage up to 256GB; PoE & 12VDC Power Options
- > IP67 Weather Resistant Housing; Optional Wall and Pole Mount Available
- > Supported by uniview tec Guard Station Software and Guard Viewer Mobile App's for iPhone and Android Devices

## Specifications

Camera	
Sensor	1/3", progressive scan , 4 megapixel, CMOS
Lens	4mm @ F1.6
Angle of View (H x V)	101.1° x 55.3°
Shutter	Auto/Manual, 1 ~ 1/100000 s
Minimum Illumination	Color: 0.003 Lux (F1.6, AGC ON); 0 Lux with IR
Day/Night	IR-cut filter with auto switch (ICR)
Digital noise reduction	2D/3D DNR
IR LED Range	Up to 30m (98 ft) IR range
WDR	120dB
Video Compression	Ultra 265, H.265, H.264, MJPEG
H.264 code profile	Baseline profile, Main Profile, High Profile
Maximum Frame Rate / Stream	Main: 4MP (2688 x 1520) @ 30fps; 3MP (2304 x 1296) @ 30fps Sub: 720P (1280 x 720) @ 30fps Third Stream: D1 (704 x 576) @ 30fps
HLC, BLC, Defog, Flip, 9:16 Corridor	Supported
OSD, Privacy Mask, Motion Detection & ROI	Up to 8 areas
Network	
Protocols	IPv4, IGMP, ICMP, ARP, TCP, UDP, DHCP, RTP, RTSP, RTCP, DNS, DDNS, NTP, FTP, UPnP, HTTP, HTTPS, SMTP, SSL
Compatible Integration	ONVIF (Profile S, Profile T), API
Network	RJ45, 10M/100M Base-T X Ethernet
Intelligent Perimeter Protection	Cross Line, Intrusion, Enter Area, Leave Area detection; Motion detection
Local & Network Storage	Micro-SD, up to 256GB; ANR
General	
Power	12 VDC +/- 25%, PoE (IEEE802.3 af); Power consumption: Max 4W
Audio	1 / 0, w/built-in Mic; G.711
Dimensions (Ø x H) & Weight	Ø110.5 x 94.1mm (Ø4.4 x 3.7"); 0.42kg (0.93lb)
Operating Temperature & Humidity	-30°C ~ +60°C (-22°F ~ 140°F); Humidity: 10%~95% RH (non-condensing)
Conformity Certifications	IP67, CE, FCC

## Dimensions



## Accessories

See Camera Accessories Guide