

5MP, TDN, WDR, IR, LIGHTHUNTER TURRET DOME



Fixed Lens Turret Dome

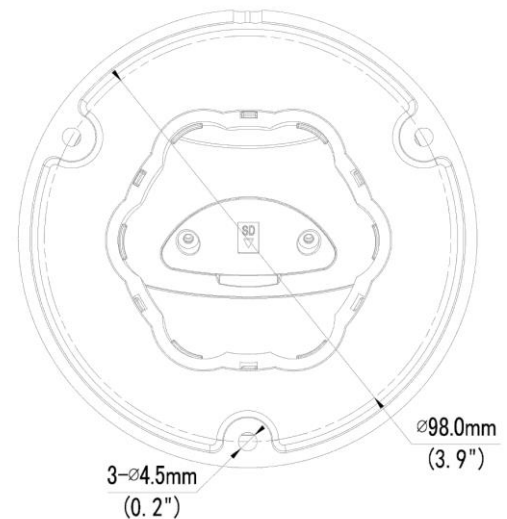
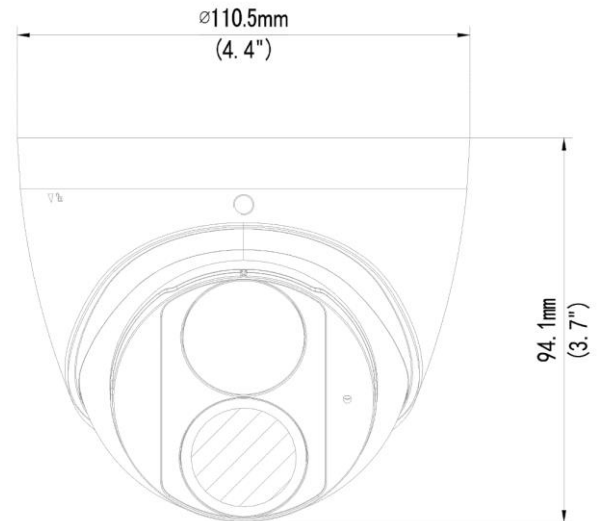
IPT528AIBX

- > Fully Adheres to National Defense Authorization Act (NDAA) Guidelines
- > LightHunter illumination technology ensures ultra-high color image up to 0.003 Lux (F1.6)
- > Exceptional Video Quality with 5MP, 2880 x 1620 Resolution
- > Super-Efficient H.265 Video Compression for Drastically Reduced Bandwidth and Storage Requirements
- > Powerful, Smart IR LED Lights for 0Lux Night Time Operation up to 98 Feet
- > 2.8mm fixed lens, Triple Video Streams, ONVIF Profile S Compliant
- > TRUE Day/Night and WDR functionality for all Lighting Conditions
- > One-way Audio w/ built-in microphone, Corridor View, Backlight Compensation and 3D DNR (Digital Noise Reduction)
- > Triple Video Streams, ONVIF Profile S Compliant; PoE & 12VDC Power Options
- > Intelligent, smart intrusion prevention technology for significantly reduced false alarms when focusing on humans and motor vehicles
- > Built-in Micro-SD Card Slot enables local storage up to 256GB
- > IP67 Weather Resistant Housing, Optional Wall and Pendant Mounts Available
- > Supported by uniview tec Guard Station Software and Guard Viewer Mobile App's for iPhone and Android Devices

Specifications

Camera	
Sensor	1/2.7", progressive scan , 5 megapixel, CMOS
Lens	2.8mm@ F1.6
Angle of View (H x V)	96.1° x 55.3°
Shutter	Auto/Manual, 1 ~ 1/100000 s
Minimum Illumination	Color: 0.003 Lux (F1.6, AGC ON); 0 Lux with IR
Day/Night	IR-cut filter with auto switch (ICR)
Digital noise reduction	2D/3D DNR
IR LED Range	Up to 30m (98 ft) IR range
WDR	120dB
Video Compression	Ultra 265, H.265, H.264, MJPEG
H.264 code profile	Baseline profile, Main Profile, High Profile
Maximum Frame Rate / Stream	Main Stream: 5MP (2880 x 1620) @ 30 fps; 4MP (2560 x 1440) @ 30 fps; 3MP (2304x 1296) @ 30 fps; 2MP (1920 x 1080) @ 30 fps Sub: 720P (1280 x 720) @ 30fps Third Stream: D1 (720 x 576) @ 30fps
HLC, BLC, Flip, 9:16 Corridor, Defog	Supported
OSD, Privacy Mask, Motion Detection & ROI	Up to 8 areas
Network	
Protocols	IPv4, IGMP, ICMP, ARP, TCP, UDP, DHCP, RTP, RTSP, RTCP, DNS, DDNS, NTP, FTP, UPnP, HTTP, HTTPS, SMTP, SSL, SNMP
Compatible Integration	ONVIF (Profile S, Profile T), API
Network	RJ45, 10M/100M Base-TX Ethernet
Intelligent Perimeter Protection	Cross Line, Intrusion, Enter Area, Leave Area detection; Motion detection
General	
Power	12VDC +/- 25%, PoE (IEEE802.3 af); Max 4W
Dimensions (Ø x H) & Weight	Ø110.5 x 94.1mm (Ø4.4 x 3.7"); 0.425kg (0.93lb)
Audio I/O & Compression	1 / 0, w/ built-in microphone; G.711
Operating Temperature & Humidity	-30°C ~ +60°C (-22°F ~ 140°F); Humidity: 10%~ 95% RH (non-condensing)
Conformity Certifications	IP67, CE, FCC

Dimensions



Accessories

See Camera Accessories Guide