

## **5MP, LIGHTHUNTER, TDN, WDR, IR, BULLET**



### *Fixed Lens Bullet*

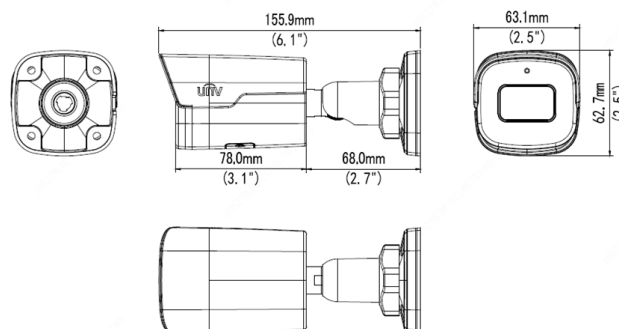
## **IPB528X**

- > Fully Adheres to National Defense Authorization Act (NDAA) Guidelines
- > LightHunter Technology for ultra-high quality color video images in low light applications with up to 5MP, 2880 x 1620 Resolution
- > Super-Efficient H.265 Video Compression for Drastically Reduced Bandwidth and Storage Requirements
- > Powerful, Smart IR LED Lights for 0Lux Night Time Operation up to 131 Feet
- > 2.8mm fixed lens, TRUE Day/Night and WDR functionality for all Lighting Conditions
- > One-way Audio w/ built-in microphone, Corridor View, Backlight Compensation and 3D DNR (Digital Noise Reduction)
- > Triple Video Streams, ONVIF Profile S Compliant
- > Intelligent Perimeter Protection with Smart Intrusion Detection Analytics
- > PoE & 12VDC Power Options
- > Built-in Micro-SD Card Slot enables local storage up to 256GB
- > IP67 Weather Resistant Housing
- > Optional Mounts Available
- > Supported by uniview tec Guard Station Software and Guard Viewer Mobile App's for iPhone and Android Devices

## Specifications

Camera	
Sensor	1/2.7", progressive scan , 5 megapixel, CMOS
Lens	2.8mm@ F1.6
Angle of View (H x V)	112.7° x 60.1°
Shutter	Auto/Manual, 1 ~ 1/100000s
Minimum Illumination	Color: 0.003 Lux (F1.6, AGC ON); 0 Lux with IR
Day/Night	IR-cut filter with auto switch (ICR)
Digital noise reduction	2D/3D DNR
IR LED Range	Up to 40m (131 ft) IR range
WDR	120dB
Video Compression	Ultra 265, H.265, H.264, MJPEG
H.264 code profile	Baseline profile, Main Profile, High Profile
Maximum Frame Rate / Stream	Main Stream: 5MP (2880 x 1620) @ 25 fps Sub: D1 (720 x 576) @ 30fps Third Stream: CIF (352 x 268) @ 30fps
HLC, BLC, 9:16 Corridor, Defog, Flip, Dewarping	Supported
OSD, Privacy Mask, Motion Detection & ROI	Up to 8 areas
Network	
Protocols	IPv4, IGMP, ICMP, ARP, TCP, UDP, DHCP, RTP, RTSP, RTCP, DNS, DDNS, NTP, FTP, UPnP, HTTP, HTTPS, SMTP, SSL
Compatible Integration	ONVIF (Profiles S, G, T), API
Network	RJ45, 10M/100M Base-TX Ethernet
Local Storage	Micro-SD, up to 256GB
Network Storage	Automatic Network Replenishment (ANR)
Smart Intrusion Prevention	Cross Line, Intrusion, Enter/Leave Area Detection
General	
Power	12VDC +/- 25%,; PoE (IEEE802.3 af); Max 6.4W
Dimensions (Ø x H) & Weight	155.9 × 63.1 × 62.7mm (6.1 × 2.5 × 2.5"); 0.425kg (0.93lb)
Audio I / O & Compression	1 / 0, with built-in microphone; G.711 Compression
Operating Temperature & Humidity	-30°C ~ +60°C (-22°F ~ 140°F); Humidity: 10%~95% RH (non-condensing)
Conformity Certifications	IP67, CE, FCC

## Dimensions



## Accessories

See Camera Accessories Guide