

5MP, TDN, WDR, IR, 360° FISHEYE DOME



5MP 360° Fisheye Dome

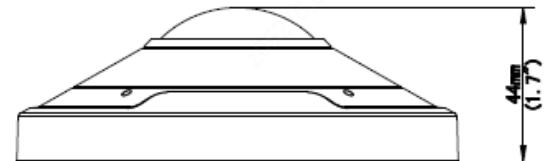
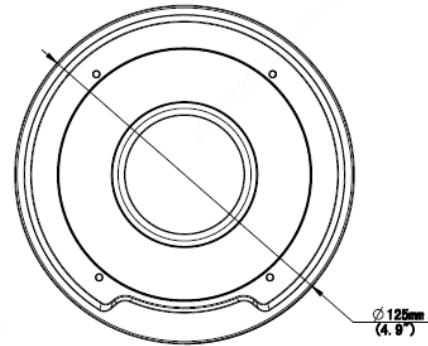
IPFE5360X

- > Fully Adheres to National Defense Authorization Act (NDAA) Guidelines
- > Exceptional Video Quality with 5MP, 2592 x 1944 Resolution
- > Super-Efficient H.265 Video Compression for Drastically Reduced Bandwidth and Storage Requirements
- > Embedded IR LED Light, 0Lux Night Time Operation up to 33 Feet
- > Ultra-wide angle, 1.4mm, 360°panoramic lens
- > TRUE Day/Night and Wide Dynamic Range functionality for all Lighting Conditions
- > Two-way Audio w/ built-in microphone, Backlight Compensation, and 3D DNR (Digital Noise Reduction)
- > Triple Video Streams and ONVIF Profile S Compliant
- > PoE & 12VDC Power Options and Built-in Micro-SD Card Slot enables local storage up to 256GB
- > IP66 Weather Resistant & IK10 Impact Resistant, Vandal Housing
- > Optional Mounting Accessories Available
- > Supported by uniview tec Guard Station Software and Guard Viewer Mobile App's for iPhone and Android Devices

Specifications

Camera	
Sensor	1/2.8", progressive scan , 5 megapixel, CMOS
Lens	1.4mm @ F2.0
Shutter	Auto/Manual, 1/6 s ~ 1/100000 s
Angle of View	360°
Minimum Illumination	Color: 0.01 Lux (F2.0, AGC ON); 0 Lux with IR
Day/Night	IR-cut filter with auto switch (ICR)
Digital noise reduction	2D/3D DNR
IR LED Range	Up to 10m (33ft) IR range
WDR	120dB
Video Compression	Ultra 265, H.265, H.264, MJPEG
H.264 Code Profile	Baseline profile, Main Profile, High Profile
Frame Rate / Stream	Main Stream: (2592 × 1944): Max.30fps; Sub Stream: (1920 × 1080): Max.30fps; Third Stream: D1 (720 x 576): Max.30 fps
BLC, Defog	Supported
OSD, Privacy Mask, Motion Detection & ROI	Up to 8 areas
Network	
Protocols	IPv4, IGMP, ICMP, ARP, TCP, UDP, DHCP, PPPoE, RTP, RTSP, RTCP, DNS, DDNS, NTP, FTP, UPnP, HTTP, HTTPS, SMTP, 802.1x, SNMP, QoS
Compatible Integration	ONVIF (Profile S, G, T), API
Network	RJ45, 10M/100M Base-TX Ethernet
Local & Network Storage	Micro-SD, up to 256GB; ANR
General	
Power	12VDC +/-25%, PoE (IEEE802.3af); Max. 8.5W
Dimensions (Ø x H) & Weight	Ø125 x 44mm (Ø4.9 x 1.7"); 0.36kg (0.79lb)
Audio I/O & Compression	1 / 1, w/ built-in mic; G711
Alarm I/O	1 / 1
Operating Temperature & Humidity	-30°C ~ 60°C (-22°F ~ 140°F); Humidity: 10%~ 95% RH (non-condensing)
Conformity Certifications	IP66, IK10, CE, FCC

Dimensions



Accessories

See Camera Accessories Guide