

## **5MP, LIGHTHUNTER, WDR, IR BULLET**



### *Varifocal Lens Bullet*

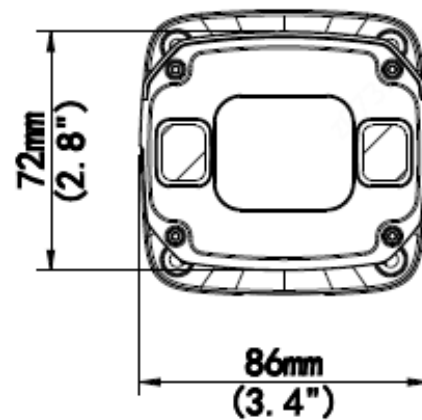
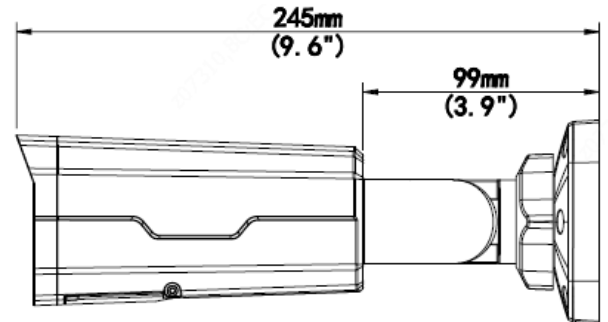
## **IPB5213MX**

- > Fully Adheres to National Defense Authorization Act (NDA) Guidelines
- > LightHunter Technology for ultra-high quality color video images in low light applications with up to 5MP, 2880 x 1620 Resolution
- > Super-Efficient H.265 Video Compression for Drastically Reduced Bandwidth and Storage Requirements
- > Powerful, Smart IR LED Lights for 0Lux Night Time Operation up to 164 Feet
- > 2.7 ~ 13.5mm motorized varifocal, automatic focus lens
- > TRUE Day/Night and WDR functionality for all Lighting Conditions
- > Two-way Audio, Corridor View, Backlight Compensation and 3D DNR (Digital Noise Reduction)
- > Triple Video Streams; ONVIF Profile S Compliant
- > Intelligent Perimeter Protection with Smart Intrusion Detection Analytics
- > PoE & 12VDC Power Options
- > Built-in Micro-SD Card Slot enables local storage up to 256GB
- > IP67 Weather Resistant and IK10 Vandal Resistant Housing and Optional Mounts Available
- > Supported by uniview tec Guard Station Software and Guard Viewer Mobile App's for iPhone and Android Devices

## Specifications

Camera	
Sensor	1/2.7", progressive scan, 5 megapixel, CMOS
Lens	2.7 ~ 13.5mm, varifocal automatic focusing and motorized zoom lens
Angle of View (H x V)	106.25° ~ 30.42° x 56.36° ~ 17.22° (Wide ~ Tele)
Shutter	Auto/Manual, 1 ~ 1/100000 s
Minimum Illumination	Color: 0.002 Lux (F1.2, AGC ON); 0 Lux with IR
Day/Night	IR-cut filter with auto switch (ICR)
Digital noise reduction	2D/3D DNR
IR LED Range	Up to 50m (164ft) IR range
WDR	120dB
Video Compression	Ultra 265, H.265, H.264, MJPEG
H.264 code profile	Baseline profile, Main Profile, High Profile
Maximum Frame Rate / Stream	Main Stream: 5MP (2880 X 1620) @ 30 fps Sub: 2MP (1920 x 1080) @ 30fps Third Stream: D1 (720x576) @ 30fps
HLC, BLC, 9:16 Corridor, Defog	Supported
OSD, Privacy, Motion & ROI	Up to 8 areas
Network	
Protocols	IPv4, IGMP, ICMP, ARP, TCP, UDP, DHCP, PPPoE, RTP, RTSP, RTCP, DNS, DDNS, NTP, FTP, UPnP, HTTP, HTTPS, SMTP, 802.1x, SNMP
Network	RJ45, 10M/100M Base-TX Ethernet
Smart Intrusion Prevention	Cross Line, Intrusion, Enter/Leave Area Detection
Compatible Integration	ONVIF (Profile S, G, T); API
Local & Network Storage	Micro-SD, up to 256GB; ANR
General	
Power	12VDC +/- 25%, PoE (IEEE802.3 af); Max 8W
Dimensions (L x W x H) & Weight	245 x 86 x 72mm (9.6 x 3.4 x 2.8"); 0.92kg (2lb)
Audio I/O & Compression	1 / 1; G.711 compression
Alarm I/O	1 / 1
Operating Temperature & Humidity	-30°C ~ +60°C (-22°F ~ 140°F); Humidity: 10%~95% RH (non-condensing)
Conformity Certifications	IP67, IK10, CE, FCC

## Dimensions



## Accessories

See Camera Accessories Guide