

4K, TRUE DAY/NIGHT, WDR, IR, TURRET DOME



Fixed Lens Turret Dome

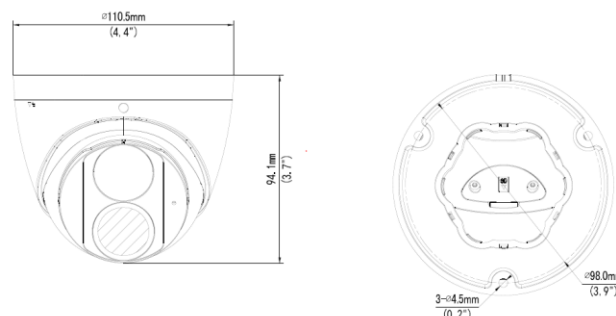
IPT4K28AIX

- > Fully Adheres to National Defense Authorization Act (NDAA) Guidelines
- > Exceptional Video Quality with 4K (8MP), 3840 x 2160 Resolution
- > Super-Efficient H.265 Video Compression for Drastically Reduced Bandwidth and Storage Requirements
- > Powerful, Smart IR LED Lights for 0 Lux Night Time Operation up to 98 Feet
- > 2.8 fixed, wide-angle lens
- > TRUE Day/Night and WDR functionality for all Lighting Conditions
- > Backlight Compensation, Corridor Mode, Defog and 3D DNR (Digital Noise Reduction)
- > Triple Video Streams, ONVIF Profile S Compliant
- > One-way Audio with Built-in Microphone
- > Intelligent, smart intrusion prevention technology for significantly reduced false alarms when focusing on humans and motor vehicles
- > IP67 Weather Resistant Housing and PoE & 12VDC Power Options
- > 3-Way Axis and Optional Wall, Junction Box and Pole Mounts Available
- > Supported by uniview tec Guard Station Software and Guard Viewer Mobile App's for iPhone and Android Devices

Specifications

Camera	
Sensor	1/2.7", progressive scan , 8 megapixel, CMOS
Lens / Angle of View (H x V)	2.8mm @ F2.0 / 112.4° x 60.1°
Shutter	Auto/Manual, 1/6 ~ 1/100000 s
Minimum Illumination	Color: 0.01 Lux (F2.0, AGC ON); 0 Lux with IR
Day/Night	IR-cut filter with auto switch (ICR)
Digital noise reduction	2D/3D DNR
IR LED Range and Wavelength	Up to 30m (98 ft) IR range; 850nm
WDR	120dB
Video Compression & Bit Rate	Ultra 265, H.265, H.264, MJPEG; 128 Kbps ~ 16 Mbps
H.264 code profile	Baseline profile, Main Profile, High Profile
Maximum Frame Rate / Stream	Main Stream: 8MP (3840*2160) @ Max. 20fps; Sub: 1080P (1920*1080) @ Max. 30fps Third: D1 (720*576), @ Max. 30fps
HLC, BLC, Defog, Flip, 9:16 Corridor, Dewarping	Supported
OSD, Privacy Mask, Motion Detection & ROI	Up to 8 areas
Network	
Protocols	IPv4, IGMP, ICMP, ARP, TCP, UDP, DHCP, PPPoE, RTP, RTSP, RTCP, DNS, DDNS, NTP, FTP, UPnP, HTTP, HTTPS, SMTP, 802.1x, SNMP, QoS
Compatible Integration	ONVIF (Profile S, T, G), API
Local & Network Storage	Micro-SD, up to 256GB; ANR
Network	RJ45, 10M/100M Base-T X Ethernet
Intelligent Perimeter Protection	Cross Line, Intrusion, Enter Area, Leave Area detection; Motion detection
General	
Power	12 VDC, PoE (IEEE802.3 af); Power consumption: Max 5W
Audio I/O; Compression	1/0, w/ built-in MIC; G711
Dimensions (Ø x H) & Weight	Ø110.5 x 94.1mm (Ø4.4 x 3.7"); 0.44kg (0.97lb)
3-Axis Adjustment Range	Pan: 0°~360° Tilt: 0° ~ 80° Rotate: 0°~360°
Operating Temperature & Humidity	-30°C ~ +60°C (-22°F ~ 140°F); Humidity: 10%~95% RH (non-condensing)
Conformity Certifications	IP67, CE, FCC

Dimensions



Accessories

See Camera Accessories Guide