

5MP LIGHTHUNTER, TDN, WDR, VANDAL DOME



Varifocal Lens Vandal Dome

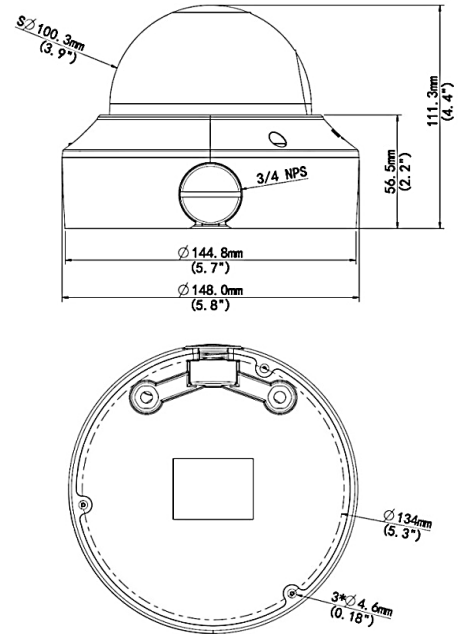
IPV5213MX

- > Fully Adheres to National Defense Authorization Act (NDAA) Guidelines
- > LightHunter Technology for ultra-high quality color video images in low light applications with up to 5MP, 2880 x 1620 Resolution
- > Super-Efficient H.265 Video Compression for Drastically Reduced Bandwidth and Storage Requirements
- > Powerful, Smart IR LED Lights for 0Lux Night Time Operation up to 131 Feet
- > 2.7 ~ 13.5mm motorized varifocal, automatic focus lens; TRUE Day/Night and WDR functionality for all Lighting Conditions
- > Two-way Audio, Corridor View, Backlight Compensation and 3D DNR; Triple Video Streams; ONVIF Profile S Compliant
- > Intelligent perimeter protection such as cross line and intrusion, with smart intrusion prevention technology for significantly reduced false alarms when focusing on humans and motor vehicles
- > PoE & 12VDC Power & Built-in Micro-SD Card Slot enables local storage up to 256GB
- > IP67 Weather Resistant and IK10 Vandal Resistant Rated Vandal Housing; 3-Way Axis and Optional Wall and Pendant Mounts Available
- > Supported by uniview tec Guard Station Software and Guard Viewer Mobile App's for iPhone and Android Devices

Specifications

Camera	
Sensor	1/2.7", progressive scan, 5 megapixel, CMOS
Lens	2.7 ~ 13.5mm, varifocal automatic focusing and motorized zoom lens
Angle of View (H x V)	106.25° ~ 30.42° x 56.36° ~ 17.22° (wide ~ tele)
Shutter	Auto/Manual, 1 ~ 1/100000 s
Minimum Illumination	Color: 0.002 Lux (F1.2, AGC ON); 0 Lux with IR
Day/Night	IR-cut filter with auto switch (ICR)
Digital noise reduction	2D/3D DNR
Smart IR LED Range	Up to 40m (131ft) IR range
WDR	120dB
Video Compression	Ultra 265, H.265, H.264, MJPEG
H.264 code profile	Baseline profile, Main Profile, High Profile
Maximum Frame Rate / Stream	Main Stream: 5MP (2880 x 1620) @ 30 fps Sub Stream: 720P (1280 x 720), @ 30fps Third Stream: D1 (720 x 576) @ 30fps
HLC, BLC, 9:16 Corridor, Defog, Flip	Supported
OSD, Privacy, Motion & ROI	Up to 8 areas
Network	
Protocols	IPv4, IGMP, ICMP, ARP, TCP, UDP, DHCP, PPPoE, RTP, RTSP, RTCP, DNS, DDNS, NTP, FTP, UPnP, HTTP, HTTPS, SMTP, 802.1x, SNMP, QoS
Compatible Integration	ONVIF (Profile S, G, T), API
Network	RJ45, 10M/100M Base-TX Ethernet
Intelligent Perimeter Protection	Line Crossing, Intrusion & Leave Area detection w/ Smart Intrusion Prevention Technology for False Alarm Prevention
Local & Network Storage	Micro-SD, up to 256GB; ANR
General	
Power	12VDC +/- 25%, PoE (IEEE802.3 af); Max 7W
Dimensions (Ø x H) & Weight	Ø148 x 111.3mm (Ø5.8 x 4.4"); 0.75kg (1.7lb)
Audio I/O & Compression	1 / 1 w/ Built-in Mic; G711 compression
Alarm I/O	1 / 1
Operating Temperature & Humidity	-30°C ~ +60°C (-22°F ~ 140°F); Humidity: 10%~95% RH (non-condensing)
Conformity Certifications	IP67, IK10; CE, FCC

Dimensions



Accessories

See Camera Accessories Guide