

4MP, LIGHTHUNTER, TDN, WDR, AI, IR VANDAL



Varifocal Lens Vandal Dome

IPV4213MAIX

- > Fully Adheres to National Defense Authorization Act (NDA) Guidelines
- > LightHunter illumination technology ensures ultra-high color image up to 0.002 Lux (F1.2)
- > Exceptional Video Quality with 4MP, 2688 x 1520 Resolution
- > Super-Efficient H.265 Video Compression for Drastically Reduced Bandwidth and Storage Requirements
- > Powerful, Smart IR LED Lights for 0Lux Night Time Operation up to 131 Feet
- > 2.7 ~ 13.5mm motorized varifocal, automatic focus lens; ONVIF Profile S Compliant
- > TRUE Day/Night and WDR functionality for all Lighting Conditions
- > Triple Video Streams, Two-way Audio, Corridor Mode, Backlight Compensation and 3D DNR
- > Intelligent, smart intrusion prevention technology for significantly reduced false alarms when focusing on humans and motor vehicles
- > PoE & 12VDC Power Options and Optional Wall and Pendant Mounts Available
- > Built-in Micro-SD Card Slot enables local storage up to 256GB
- > 3-way Axis, IP67 Weather Resistant and IK10 Vandal Resistant Rated Vandal Housing
- > Supported by uniview tec Guard Station Software and Guard Viewer Mobile App's for iPhone and Android Devices

www.univiewtechnology.com

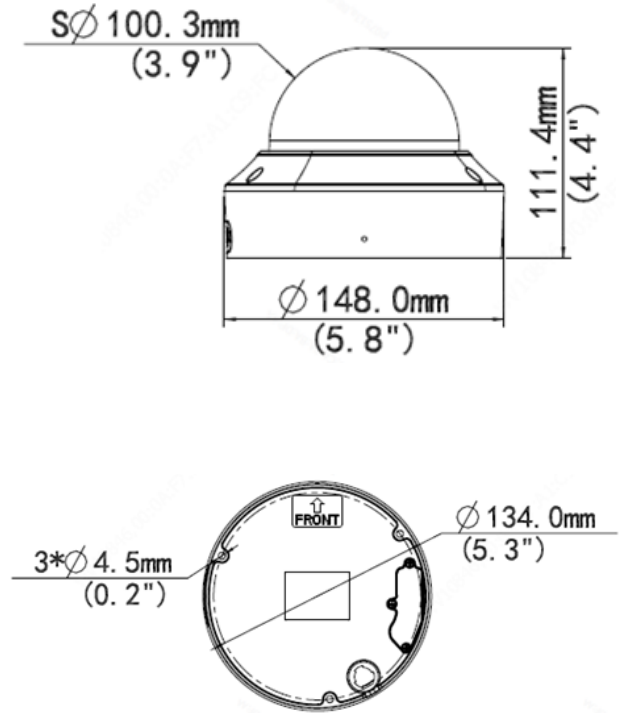


UVT70121222-00

Specifications

Camera	
Sensor	1/3", progressive scan , 4 megapixel, CMOS
Lens	2.7~13.5mm, varifocal automatic focusing and motorized zoom lens
Angle of View (H x V)	98.26° ~ 31.35° x 54.76° ~ 18.55° (Wide ~ Tele)
Shutter	Auto/Manual, 1/6 ~ 1/100000 s
Minimum Illumination	Color: 0.002 Lux (F1.2, AGC ON); 0 Lux with IR
Day/Night & WDR	IR-cut filter with auto switch (ICR); 120db
Digital noise reduction	2D/3D DNR
IR LED Range	Up to 40m (131ft) IR range
Video Compression	Ultra 265, H.265, H.264, MJPEG
H.264 code profile	Baseline profile, Main Profile, High Profile
Maximum Frame Rate / Stream	Main: 4MP (2688 x 1520) @ 30fps Sub: 720P (1280 x 720) @ 30fps Third Stream: D1 (720 x 576) @ 30fps
HLC, BLC, Flip, Defog; 9:16 Corridor	Supported
OSD, Privacy Mask, Motion Detection & ROI	Up to 8 areas
Network	
Protocols	IPv4, IGMP, ICMP, ARP, TCP, UDP, DHCP, PPPoE, RTP, RTSP, RTCP, DNS, DDNS, NTP, FTP, UPnP, HTTP, HTTPS, SMTP, 802.1x, SNMP, QoS
Compatible Integration	ONVIF (Profile S, G, T), API
Network	RJ45, 10M/100M Base-TX Ethernet
Smart Intrusion Prevention	Cross Line, Intrusion, Enter Area, Leave Area detection; Motion detection
Local & Network Storage	Micro-SD, up to 256GB; ANR
General	
Power	12VDC +/- 25%, PoE (IEEE802.3 af); Power consumption: Max 7W
Dimensions (Ø x H) & Weight	Ø148 x 111.3mm (Ø5.8 x 4.4"); 0.92kg (2.03lb)
Audio I/O & Compression	1 / 1 w/ Built-in Mic: G711 Compression
Alarm I/O	1 / 1
Operating Temperature & Humidity	-30°C ~ +60°C (-22°F ~ 140°F); Humidity: 10%~95% RH (non-condensing)
Conformity Certifications	IP67, IK10; CE, FCC

Dimensions



Accessories

See Camera Accessories Guide