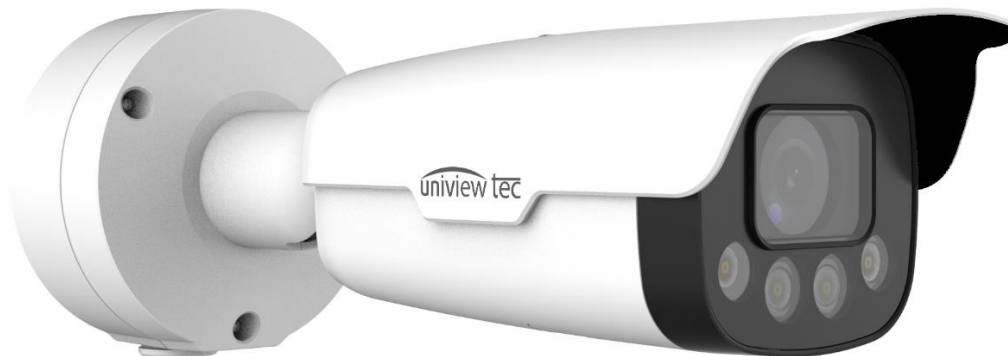


2MP, STARLIGHT, WDR, LICENSE PLATE RECOGNITION BULLET



LPR Bullet

IPLPRB2447MX

Optics

- > Starlight optical sensor and integrated IR illuminator produce clear images in night environments and reduce light pollution
- > 4 LED IR illumination beads provide up to 50m illumination
- > 2MP industrial-grade sensor delivers 1920 x 1080 images
- > Motorized zoom lens enables flexible focal length adjustment and easy installation
- > Automatic gain control, white balance, and WDR for various light conditions

Compression

- > Automatic gain control, white balance, and WDR for various light conditions
- > Up to 1080P @ 60fps image collection format
- > 1 image stream, 3 video streams.
- > Up to 1080P @ 60fps live video streams.
- > Advanced H.265 encoding technology improves compression efficiency.
- > Custom OSD allows various vehicle information to be overlaid on the video image

www.univiewtechnology.com

Functions

- > Built-in vehicle & license plate recognition algorithm can recognize standard license plates of multiple countries.
- > Supports capturing vehicle head only.
- > Supports allowlist and blocklist configuration.
- > Supports vehicle access control when connected to a barrier.
- > Supports Micro SD cards of up to 128GB.
- > Supports Automatic Network Replenishment (ANR), the camera can automatically store video to its SD card in case of network disconnection.
- > Supports audio acquisition and intercom.

Network

- > Network auto-adaptability ensures fluent live video in relatively bad network conditions such as packet loss.
- > Supports SNMP.
- > Supports UNP for NAT traversal between public and private networks.
- > Supports integration by the third party via SDK or HTTP.

Network Security

- > Supports authorized user access by password. Weak password detection and account lock-up when failed login attempts reach the upper limit enhance password security.
- > Supports HTTPS.
- > RTSP authentication prevents unauthorized video stream requests.
- > IP address filtering prevents illegal access from untrusted IP addresses.
- > Gateway ARP protection prevents MAC address spoofing.

Structure

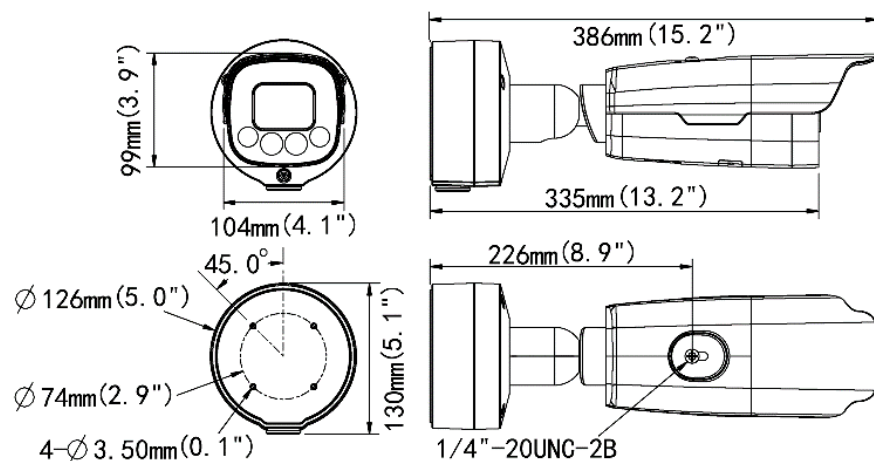
- > Fully Adheres to National Defense Authorization Act (NDAA) Guidelines
- > Supports DC 12V, and PoE (802.3at) power supplies.
- > Cast aluminum body offers excellent heat dissipation.
- > 3-axis mounting bracket for various installation scenarios.
- > Junction box for cabling.
- > IP67 and IK10 ratings
- > Supported by uniview tec Guard Station Client Software and Guard Viewer Mobile App's for iPhone and Android Devices

Specifications

| Camera | |
|----------------------------------|---|
| Sensor | 1/2.8" 2MP CMOS |
| Focal length | 4.7 to 47mm, motorized zoom |
| Shutter | Auto / Manual, range: 1/25 to 1/100000 s |
| Minimum illumination | 0.001lux (F1.6) |
| Image | |
| Image collection format (fps) | 1080P @ 25 (default), 1080P @ 30, 1080P @ 50, 1080P @ 60 |
| Resolution | Main stream: 1080P (default), 720P, D1 Sub stream: 720P (default), D1, 2CIF, CIF Third stream: D1 (default), 2CIF, CIF |
| Frame rate (fps) | 60, 50, 30, 25 (default), 22, 20, 18, 16, 15, 12.5, 10, 8, 6, 5, 4, 3, 2, 1 |
| Video compression | H.264 (default), H.265 |
| ROI (Region of Interest) | Supports up to 8 regions |
| Video OSD | Supports 8 overlay areas and allows contents including date, time, date & time, zoom ratio, custom contents |
| Image OSD | Supports 8 overlay areas and allows contents including time, license plate number, device ID, camera ID, allowlist, image authentication ID, custom contents (3 items), location |
| Smart | |
| Application scenario | Vehicle speed ≤30km/h (18.5mph); Supports simultaneous application to entry / exit scenes |
| Vehicle detection mode | Video (default) or inductive loop |
| Capture vehicle head only | Support |
| License plate number recognition | Supports recognition of license plates with numbers and letters by default |
| List configuration | Supports allowlist and blocklist configuration, each list allows 20,000 items Supports import, export, add, and delete operations |
| Barrier opening policy | Open barrier only for the recognized vehicles Open barrier for all vehicles Open barrier only for vehicles on the allowlist Open barrier for vehicles not on the blocklist Configurable Boolean output ID |
| Storage | |
| Edge Storage | Supports ANR with a Micro SD card, up to 128GB |
| Structure | |
| Illumination | Built-in integrated illumination module, including 4 IR LEDs, 50m illumination distance, automatic on/off control |
| Sunshield | Long sunshield |
| Bracket | 3-axis mounting bracket |
| Junction box | The camera comes with a junction box for storing cable |

| Interface | |
|------------------------|--|
| Network interface | 1 × 10M/100M RJ45 |
| Serial port | 1 × RS485 |
| Boolean output | 1 relay output, withstand voltage: AC 125V/0.3A, DC 30V/1A |
| Boolean input | 2 inputs, supports level / Boolean, with max level up to DC 5V |
| Audio interface | 1 × audio input, 1 × audio output |
| Storage interface | 1 × Micro SD card slot |
| General | |
| Power supply | DC12V + 25% - 10% |
| | Max. power consumption: 20W |
| | Supports PoE (802.3at, class 4) |
| Dimensions (L × W × H) | 386 x 126 x 130mm (15.2 x 5 x 5.1") |
| Weight | 2kg (4.4lbs) |
| Operating environment | -40°C ~ 60°C , (-40°F ~ 140°); ≤90% Relative Humidity |
| Ingress protection | IP67, IK10 |

Dimensions



Accessories

See Camera Accessories Guide