

## **2MP HD ANALOG, COLORHUNTER, DWDR, BULLET**



*Fixed Lens Bullet*

### **UHDB2EC28X**

- > Fully Adheres to National Defense Authorization Act (NDA A) Guidelines
- > High Video Quality with 2MP, 1980 x 1080 Resolution
- > High Definition Analog (HD Analog) over Coax Technology, utilizes existing Coax Cables & BNC Connectors, allowing Mega-pixel Video Images without any rewiring necessary
- > TVI, AHD, CVI and CVBS Protocol selectable --- Engineered to work with UVT Hybrid NVR's for Maximum Stability and Performance
- > ColorHunter Technology allows 24/7 Full-Color Imaging with White Light Illumination
- > 2.8mm fixed lens
- > TRUE Day/Night and DWDR functionality for all Lighting Conditions
- > Backlight Compensation and 2D DNR (Digital Noise Reduction)
- > Supports 180° horizontal flip, 180° vertical flip
- > Easy to Operation On Screen Display (OSD) Configuration Menu
- > 12VDC Power Options; IP67 Weather Resistant Housing with Optional Mounts
- > Supported by uniview tec Guard Station Client Software and Guard Viewer Mobile App's for iPhone and Android Devices

[www.univiewtechnology.com](http://www.univiewtechnology.com)



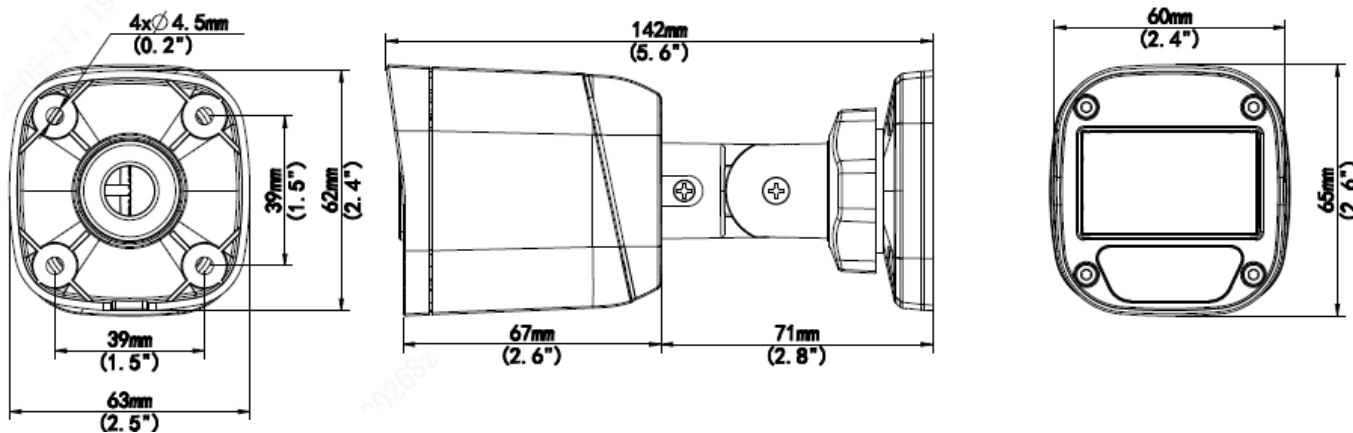
UVT5040423-00

## Specifications

Sensor	
Pixel	2MP
Size	1/3" CMOS
Minimum illumination	0.02 lux (F2.0, AGC ON) 0 lux (white light on)
Lens	
Focal Length	2.8mm
Angle of View (H x V)	100.9° x 56.5°
IR Illumination	
White Light	One Illuminator; 20M (65ft)
Video	
Resolution	1080P: 1920 × 1080 720P: 1280 × 720
Frame rate	TVI / AHD / CVI: 1080P @ 30fps, 1080P @ 25fps; 720P @ 30fps, 720P @ 25fps CVBS: PAL, NTSC
Shutter time	PAL: 1/25s-1/50000s NTSC: 1/30s-1/50000s
Image	
Exposure mode	4 modes: Global (default), BLC, HLC, DWDR
Day/Night	24/7 full-color imaging
Digital noise reduction	2D / 3D
White balance	Two modes: Auto (default), Manual
WDR	DWDR
Flip	Supports 180° horizontal flip, 180° vertical flip.
Interface	
Power	5.5mm power interface
Video output	BNC, supports TVI / AHD / CVI / CVBS
Operating Environment	
Temperature	-30°C to 60°C (-22°F to 140°F)
Humidity	≤95% (RH, non-condensing)
Surge protection	4KV
Ingress protection	IP67
General	
Power	DC 12V(±25%), with reverse polarity protection and surge protection, Max 2.4W
Mount	3D bracket supplied, surface mount (default); optional junction box and pole mount available
Dimensions (L x W x H)	142 x 60 x 65mm (5.6 x 2.4 x 2.6")

Material	Plastic
Weight	135g (0.30lb)
Certification	CE, FCC

## Dimensions



## Accessories

See Camera Accessories Guide