

## **2MP HD ANALOG, COLORHUNTER, DWDR, TURRET**



*Fixed Lens Turret*

### **UHDT2C28X**

- > Fully Adheres to National Defense Authorization Act (NDAA) Guidelines
- > High Video Quality with 2MP, 1920 x 1080 Resolution
- > High Definition Analog (HD Analog) over Coax Technology, utilizes existing Coax Cables & BNC Connectors, allowing Mega-pixel Video Images without any rewiring necessary
- > TVI, AHD, CVI and CVBS Protocol selectable --- Engineered to work with UVT Hybrid NVR's for Maximum Stability and Performance
- > ColorHunter Technology allows 24/7 Full-Color Imaging with Dual White Light Illuminators
- > TRUE Day/Night and DWDR functionality for all Lighting Conditions
- > Built-in Microphone for High Quality Audio Transmission via Coax Cables
- > 2.8mm Fixed Lens, Backlight Compensation and 3D DNR (Digital Noise Reduction)
- > Supports 180° horizontal flip, 180° vertical flip and digital Defog
- > Easy to Operation On Screen Display (OSD) Configuration Menu
- > 12VDC Power Options; IP67 Weather Resistant Housing with Optional Mounts
- > Supported by uniview tec Guard Station Client Software and Guard Viewer Mobile App's for iPhone and Android Devices

[www.univiewtechnology.com](http://www.univiewtechnology.com)



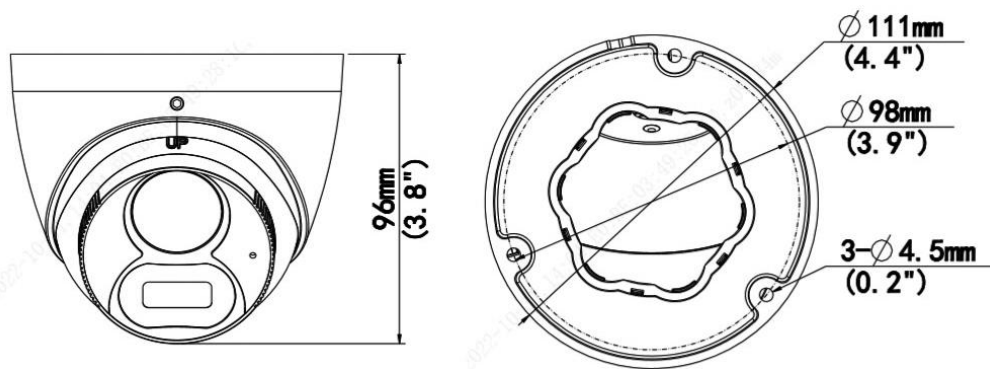
UVT5100423-00

## Specifications

Sensor	
Pixel	2MP
Size	1/2.9" CMOS
Minimum illumination	0.005 lux (F1.6, AGC ON) 0 lux (white light on)
Lens	
Focal Length	2.8mm
Angle of View (H x V)	101.5° x 56.9°
IR Illumination	
White Light	Two Illuminators; 40M (130ft)
Video	
Resolution	1080P: 1920(H)×1080(V) 720P: 1280(H) ×720(V)
Frame rate	TVI/AHD/CVI: 1080P@25fps (default), 1080P@30fps; 720P@25fps, 720P@30fps CVBS: PAL, NTSC
Shutter time	PAL: 1/25s-1/50000s NTSC: 1/30s-1/50000s
Image	
Exposure mode	4 modes: Global (default), BLC, HLC, DWDR
Day/Night	24/7 full-color imaging
Digital noise reduction	2D / 3D
White balance	Two modes: Auto (default), Manual
WDR	DWDR
Flip	Supports 180° horizontal flip, 180° vertical flip.
Defog	Digital
Audio	
Microphone	Built-in
Camera Audio	TVI: 5MP@20fps, 5MP@12.5fps, 4MP@30fps, 4MP@25fps, 1080P@30fps, 1080P@25fps CVI: 5MP@25fps, 4MP@30fps, 4MP@25fps
Interface	
Power	5.5mm power interface
Video output	BNC, supports TVI / AHD / CVI / CVBS
Operating Environment	
Temperature	-30°C to 60°C (-22°F to 140°F)
Humidity	≤95% (RH, non-condensing)
Surge protection	4KV
Ingress protection	IP67

General	
Power	DC 12V(±25%), with reverse polarity protection and surge protection, Max 3.12W
Mount	Surface mount (default); optional junction box and wall mount available
Dimensions (Dia x H)	Φ111 x 96mm (4.4 x 3.8")
Material	Metal and Plastic
Weight	356g (0.79lb)
Certification	CE, FCC

## Dimensions



## Accessories

See Camera Accessories Guide