

5MP HD ANALOG, COLORHUNTER, DWDR, TURRET



Fixed Lens Turret

UHDT5EC28X

- > Fully Adheres to National Defense Authorization Act (NDAA) Guidelines
- > High Video Quality with 5MP, 2880 x 1620 Resolution
- > High Definition Analog (HD Analog) over Coax Technology, utilizes existing Coax Cables & BNC Connectors, allowing Mega-pixel Video Images without any rewiring necessary
- > TVI, AHD, CVI and CVBS Protocol selectable --- Engineered to work with UVT Hybrid NVR's for Maximum Stability and Performance
- > ColorHunter Technology allows 24/7 Full-Color Imaging with White Light Illumination
- > 2.8mm fixed lens
- > TRUE Day/Night and DWDR functionality for all Lighting Conditions
- > Backlight Compensation and 2D DNR (Digital Noise Reduction)
- > Supports 180° horizontal flip, 180° vertical flip
- > Easy to Operation On Screen Display (OSD) Configuration Menu
- > 12VDC Power Options; IP67 Weather Resistant Housing with Optional Mounts
- > Supported by uniview tec Guard Station Client Software and Guard Viewer Mobile App's for iPhone and Android Devices

www.univiewtechnology.com



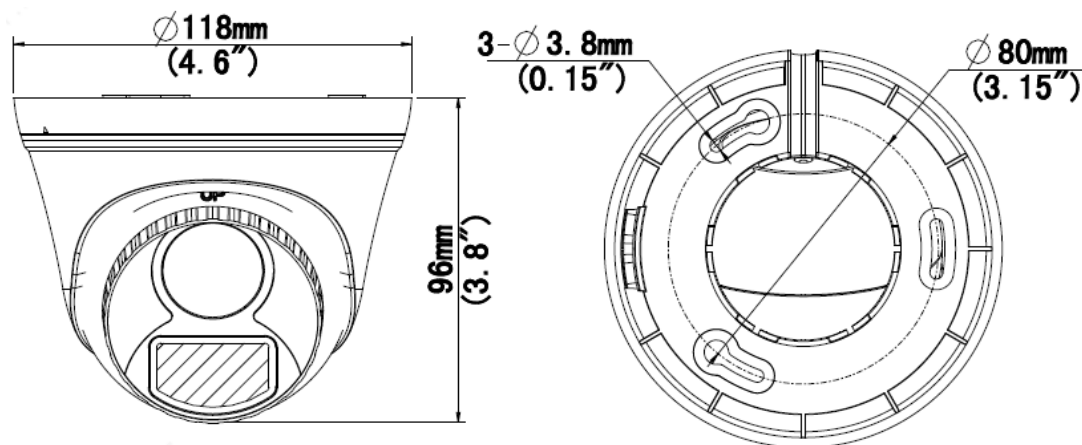
UVT5070423-00

Specifications

| Sensor | |
|-------------------------|--|
| Pixel | 5MP |
| Size | 1/2.7" CMOS |
| Minimum illumination | 0.02 lux (F2.0, AGC ON) 0 lux (white light on) |
| Lens | |
| Focal Length | 2.8mm |
| Angle of View (H x V) | 110° x 57° |
| IR Illumination | |
| White Light | One Illuminator; 20M (65ft) |
| Video | |
| Resolution | 5MP @ 25fps: 2880 × 1620; 5MP @ 20fps: 2592 × 1944; 5MP @ 12.5fps: 2592 × 1944 4MP: 2560 × 1440 1080P: 1920 × 1080 |
| Frame rate | TVI: 5MP @ 20fps, 5MP @ 12.5fps, 4MP @ 30fps, 4MP @ 25fps, 1080P @ 30fps, 1080P @ 25fps AHD: 5MP @ 20fps, 4MP @ 30fps, 4MP @ 25fps, 1080P @ 30fps, 1080P @ 25fps CVI: 5MP @ 25fps, 4MP @ 30fps, 4MP @ 25fps, 1080P @ 30fps, 1080P @ 25fps CVBS: PAL, NTSC |
| Shutter time | PAL: 1/25s-1/50000s NTSC: 1/30s-1/50000s |
| Image | |
| Exposure mode | 4 modes: Global (default), BLC, HLC, DWDR |
| Day/Night | 24/7 full-color imaging |
| Digital noise reduction | 2D |
| White balance | Two modes: Auto (default), Manual |
| WDR | DWDR |
| Flip | Supports 180° horizontal flip, 180° vertical flip. |
| Interface | |
| Power | 5.5mm power interface |
| Video output | BNC, supports TVI / AHD / CVI / CVBS |
| Operating Environment | |
| Temperature | -30°C to 60°C (-22°F to 140°F) |
| Humidity | ≤95% (RH, non-condensing) |
| Surge protection | 4KV |
| Ingress protection | IP67 |
| General | |
| Power | DC 12V(±25%), with reverse polarity protection and surge protection, Max 2.4W |

| | |
|----------------------|---|
| Mount | Surface mount (default); optional junction box and wall mount available |
| Dimensions (Dia x H) | Φ118 x 96mm (4.6 x 3.8") |
| Material | Plastic |
| Weight | 205g (0.45lb) |
| Certification | CE, FCC |

Dimensions



Accessories

See Camera Accessories Guide