

4ch, 4 PoE, 4K Resolution, H.265 NVR



4ch NVR

NR041XP

- > Fully Adheres to National Defense Authorization Act (NDAA) Guidelines
- > 4ch network recorder with H.265 Compression for Best-in-Class Recording and Storage Capability
- > Supports 1 SATA HDD up to 8TB and has Embedded PoE Switch for all Video Channels
- > Supports recording of up to 4K(8MP), 3840 x 2160 Resolution Images
- > Display Images up to 4K(8MP) Resolution on HDMI Output
- > Concurrent Mirrored Display on HDMI and VGA Monitor Outputs
- > Easy Plug and Play Functionality with Automatic Device Discovery and Display
- > Supports Cloud Upgrade for NVR and Cameras, with Automatic Detection of Latest Firmware and Upgrades, and is ONVIF Profile S Compliant
- > Supported by uniview tec Guard Station Client Software and Guard Viewer Mobile App's for iPhone and Android Devices

www.univiewtechnology.com

Specifications

Video & Audio Inputs	
IP Video Input	4-ch
Audio Input	1-ch, RCA
Video & Audio Outputs	
VGA Output	1920 x 1080p / 60Hz, 1920 x 1080p / 50Hz, 1600 x 1200 / 60Hz, 1280 x 1024 / 60Hz, 1280 x 720 / 60Hz, 1024 x 768 / 60Hz
HDMI Output	3840 x 2160 / 30Hz, 1920 x 1080p / 60Hz, 1920 x 1080p / 50Hz, 1600 x 1200 / 60Hz, 1280 x 1024 / 60Hz, 1280 x 720 / 60Hz, 1024 x 768 / 60Hz
Audio Output	1-ch, RCA
Audio Compression	G.711A, G.711U
Synchronous Playback	4
Live view display	1 / 4
Network	
Incoming Bandwidth	80Mbps
Outgoing Bandwidth	64Mbps
Remote Users	128
Protocols	TCP/IP, P2P, UPnP, NTP, DHCP, PPPoE, HTTP, HTTPS, DNS, DDNS, SNMP, SMTP
Supported Browsers	IE(IE10/11) for Windows; Firefox (version 52.0 and above) for Windows; Chrome(version 45 and above) for Windows; Edge(version 79 and above) for Windows
Snapshot	
FTP/Schedule/Event Snapshot	4-ch snapshot, up to D1 resolution
Decoding	
Decoding format	Ultra 265 / H.265 / H.264
Live view/Playback	8MP / 6MP / 5MP / 4MP / 3MP / 1080p / 960p / 720p / D1 / 2CIF / CIF
Capability	Ultra 265 / H.265: 4 x 4K @ 30, 4 x 5MP @ 30, 4 x 4MP @ 30, 4 x 3MP @ 30, 4 x 1080p @ 30 H.264: 2 x 4K @ 30, 4 x 5MP @ 30, 4 x 4MP @ 30, 4 x 3MP @ 30, 4 x 1080p @ 30
Hard Disk Drives	
SATA	1 SATA Interface
Capacity	Up to 8TB for each HDD
System Alarm	

General Alarm	Motion, Tampering, Human Body Detection, Video Loss, Alarm Input, Audio Detection
Alert Alarm	IP Conflict, Network Disconnected, Disk Offline , Disk Abnormal, Illegal Access, Hard Disk Space Low, Hard Disk Full, Recording/Snapshot Abnormal
Smart Features	
VCA Detection by Camera	Face Detection, Intrusion Detection, Cross Line Detection, Enter Area, Leave Area, Defocus Detection, Scene Change Detection, Object Left Behind, Object Removed, Auto Tracking, UMD(Ultra Motion Detection)
VCA Search	Face Search, Behavior Search, People Counting Report
People counting	People Flow Counting, Crowd Density Monitoring
Smart Intrusion Prevention (SIP), Face Detection, UMD by Camera	4-ch
External Interface	
Network Interface	1 RJ45 10M/100M/1000M self-adaptive Ethernet Interface
USB Interface	Rear panel: 1 x USB3.0, 1 x USB2.0
PoE	
Interface	4 RJ-45 10M/100M self-adaptive Ethernet Interface
Max Power	Max 30W for single port Max 50W in total
Supported Standard	IEEE 802.3af/at
General	
Power Supply	48V DC/1.35A; Power Consumption: ≤ 10W (without HDD)
Working Environment	-10°C ~ + 55°C (+14°F ~ +131°F), Humidity ≤ 90% RH(non-condensing)
Dimensions (W × D × H)	205 × 212 × 46mm (8.1 × 8.3 × 1.8")
Weight (without HDD)	≤ 0.98Kg (2.16lb)
General	
Certifications	FCC, CE (UL – Power Supply only)

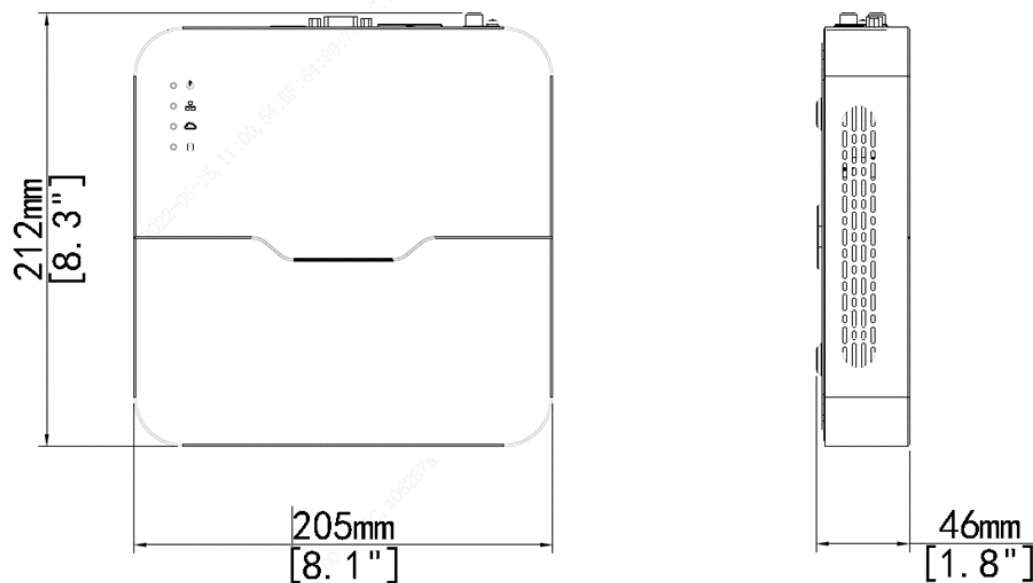
Accessories

4KTESTMON Multi-Function Video Test Monitor
NSW081P 8-Port PoE Switch

Models

NR041XP-1T NR041XP-2T

Dimensions



Rear Panel

