

## **4MP, TDN, WDR, IR LIGHTHUNTER TURRET DOME**



*Fixed Lens Turret Dome*

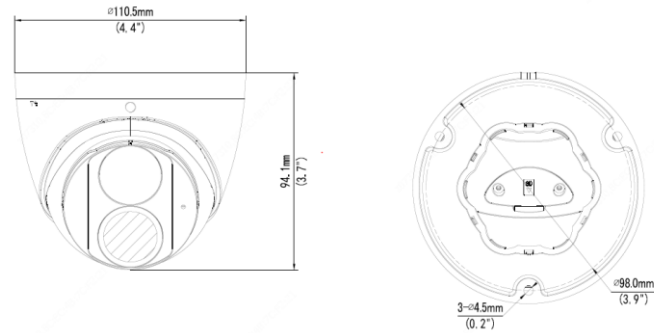
### ***IPT428AIX***

- > Fully Adheres to National Defense Authorization Act (NDA) Guidelines
- > LightHunter illumination technology ensures ultra-high color image up to 0.003 Lux (F1.6)
- > Exceptional Video Quality with 4MP, 2688 x 1520 Resolution
- > Super-Efficient H.265 Video Compression for Drastically Reduced Bandwidth and Storage Requirements
- > Powerful, Smart IR LED Lights for 0 Lux Night Time Operation up to 98 Feet
- > 2.8 fixed lens, Triple Video Streams and ONVIF Profile S Compliant, PoE & 12VDC Power Options
- > TRUE Day/Night and WDR functionality for all Lighting Conditions
- > Built in microphone, Corridor View, Backlight Compensation and 3D DNR (Digital Noise Reduction)
- > Intelligent, smart intrusion prevention technology for significantly reduced false alarms when focusing on humans and motor vehicles
- > IP67 Weather Resistant Housing, with Optional Wall and Pendant Mounts Available
- > Built-in Micro-SD Card Slot enables local storage up to 256GB
- > Supported by uniview tec Guard Station Software and Guard Viewer Mobile App's for iPhone and Android Devices

## Specifications

Camera	
Sensor	1/3", progressive scan , 4 megapixel, CMOS
Lens	2.8mm @ F1.6
Angle of View (H x V)	101.1° x 55.3°
Shutter	Auto/Manual, 1/6 ~ 1/100000 s
Minimum Illumination	Color: 0.003 Lux (F1.6, AGC ON); 0 Lux with IR
Day/Night	IR-cut filter with auto switch (ICR)
Digital noise reduction	2D/3D DNR
IR LED Range & Wavelength	Up to 30m (98 ft) IR range; 850nm
WDR & Defog	120dB; Digital Defog
Video Compression & Bit Rate	Ultra 265, H.265, H.264, MJPEG; 128 Kbps ~ 16 Mbps
H.264 code profile	Baseline profile, Main Profile
Maximum Frame Rate / Stream	Main: 4MP (2688 x 1520)@ 30fps Sub: 720p (1280 x 720) @ 30fps Third Stream: D1 (704 x 576) @ 30fps
HLC, BLC, 9:16 Corridor, Flip	Supported
OSD, Privacy Mask, Motion Detection & ROI	Up to 8 areas
Network	
Protocols	IPv4, IGMP, ICMP, ARP, TCP, UDP, DHCP, PPPoE, RTP, RTSP, RTCP, DNS, DDNS, NTP, FTP, UPnP, HTTP, HTTPS, SMTP, 802.1x, SNMP, QoS
Compatible Integration	ONVIF (Profile S, Profile G, Profile T), API
Network	RJ45, 10M/100M Base-T X Ethernet
Smart Intrusion Prevention	Cross Line, Intrusion, Enter Area, Leave Area detection; Motion detection
Local & Network Storage	Micro SD, up to 256 GB; ANR
General	
Power	12 VDC +/- 25%, PoE (IEEE802.3 af); Power consumption: Max 4W
Audio & Compression	Built-in Microphone; G711
Dimensions (Ø x H) & Weight	Ø110.5 x 94.1mm (Ø4.4 x 3.7"); 0.42kg (0.93lb)
Operating Temperature & Humidity	-30°C ~ +60°C (-22°F ~ 140°F); Humidity: 10%~95% RH (non-condensing)
Conformity Certifications	IP67, CE, FCC

## Dimensions



## Accessories

See Camera Accessories Guide