

4K, TRUE DAY/NIGHT, WDR, IR TURRET DOME



Fixed Lens Turret Dome

IPT4KE28X

- > Fully Adheres to National Defense Authorization Act (NDAA) Guidelines
- > Exceptional Video Quality with 4K (8MP), 3840 x 2160 Resolution
- > Super-Efficient H.265 Video Compression for Drastically Reduced Bandwidth and Storage Requirements
- > Powerful, Smart IR LED Lights for 0 Lux Night Time Operation up to 98 Feet
- > 2.8 fixed, wide-angle lens
- > TRUE Day/Night and WDR functionality for all Lighting Conditions
- > Built-in Microphone, Backlight Compensation, Corridor Mode, Defog and 3D DNR (Digital Noise Reduction)
- > Dual Video Streams, ONVIF Profile S Compliant
- > Ultra Motion Detection, Cross Line, Intrusion, Tampering, Audio and Motion Detection
- > IP67 Weather Resistant Housing and PoE & 12VDC Power Options
- > 3-Way Axis and Optional Wall, Junction Box and Pole Mounts Available
- > Built-in Micro-SD Card Slot enables local storage up to 256GB
- > Supported by uniview tec Guard Station Software and Guard Viewer Mobile App's for iPhone and Android Devices

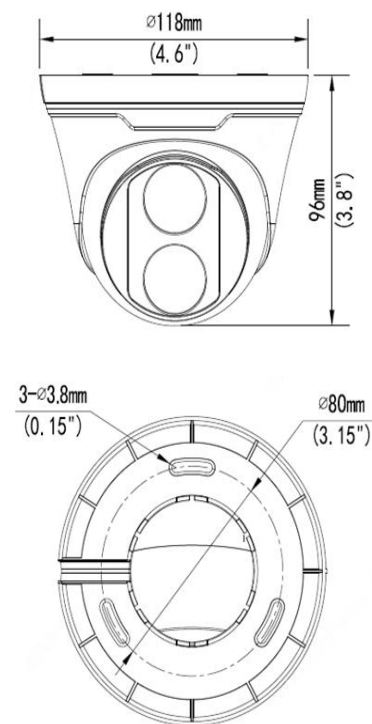
IPT4KE28X Turret Dome

IP CAMERAS

Specifications

Camera	
Sensor	1/2.7", progressive scan , 8 megapixel, CMOS
Lens	2.8mm @ F1.6
Angle of View (H x V)	112.9° x 59.1°
Shutter	Auto/Manual, 1/6 ~ 1/100000 s
Minimum Illumination	Color: 0.005 Lux (F1.6, AGC ON); 0 Lux with IR
Day/Night	IR-cut filter with auto switch (ICR)
Digital noise reduction	2D/3D DNR
IR LED Range and Wavelength	Up to 30m (98 ft) IR range; 850nm
WDR	120dB
Video Compression & Bit Rate	H.265, H.264, MJPEG; 128 Kbps ~ 16 Mbps
H.264 code profile	Baseline profile, Main Profile, High Profile
Maximum Frame Rate / Stream	Main: 8MP (3840*2160) @ 20fps; 5MP (3072x1728) @ 30fps; 4MP (2560x1440) @ 30fps; 2MP (1920x1080) @30fps Sub: 1080P (1920*1080) @ 30fps; 720p (1280x720) @30fps; D1 (720x561) @30fps; 640x360 @ 30fps; 2CIF (704x288) @30fps ; CIF (352x288) @30fps
HLC, BLC, Defog, Flip, 9:16 Corridor, Dewarping	Supported
OSD, Privacy Mask, Motion Detection & ROI	Up to 8 areas
Network	
Protocols	IPv4, IGMP, ICMP, ARP, TCP, UDP, DHCP, RTP, RTSP, RTCP, RTMP, DNS, DDNS, NTP, FTP, UPnP, HTTP, HTTPS, SMTP, SSL/TLS, 802.1x, SNMP
Compatible Integration	ONVIF (Profile S, T, G), API
Local & Network Storage	Micro-SD, up to 256GB; ANR
Network	RJ45, 10M/100M Base-T X Ethernet
Intrusion Detection Analytics	Ultra Motion Detection, Cross Line, Intrusion, Motion, Tampering alarm, & Audio Detection
General	
Power	12 VDC, PoE (IEEE802.3 af); Power consumption: Max 4.5W
Audio & Compression	Built-in Microphone; G711
Dimensions (Ø x H) & Weight	Ø118 x 95mm (Ø4.6 x 3.8"); 0.36kg (0.79lb)
3-Axis Adjustment Range	Pan: 0°~360° Tilt: 0° ~ 80° Rotate: 0°~360°
Operating Temperature & Humidity	-30°C ~ +60°C (-22°F ~ 140°F); Humidity: 10%~ 95% RH (non-condensing)
Conformity Certifications	IP67, CE, FCC

Dimensions



Accessories

See Camera Accessories Guide