

4MP, TRUE DAY/NIGHT, WDR, IR VANDAL DOME



Fixed Lens Vandal Dome

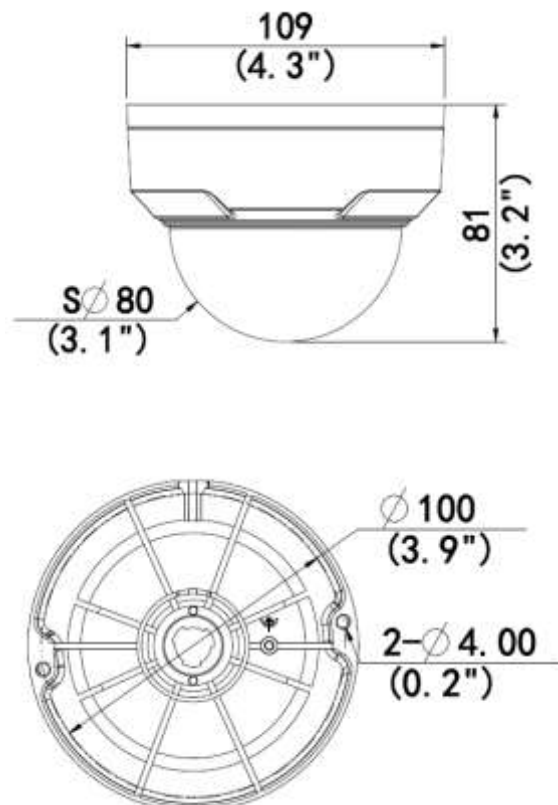
IPV4E40X

- > Fully Adheres to National Defense Authorization Act (NDAA) Guidelines
- > Exceptional Video Quality with 4MP, 2688 x 1520 Resolution
- > Super-Efficient H.265 Video Compression for Drastically Reduced Bandwidth and Storage Requirements
- > Powerful, Smart IR LED Lights for 0Lux Night Time Operation up to 98 Feet
- > 4mm fixed lens
- > TRUE Day/Night and WDR functionality for all Lighting Conditions
- > Corridor Mode, Defog, Backlight Compensation and 3D DNR (Digital Noise Reduction)
- > ONVIF Profile S Compliant
- > Ultra-Motion Detection, Cross Line, Intrusion, Tampering, and Motion
- > PoE & 12VDC Power Options
- > Built-in Micro-SD Card Slot enables local storage up to 256GB
- > IP67 Weather Resistant and IK10 Vandal Resistant Rated Vandal Housing
- > 3-Axis Adjustable, with Optional Wall and Pendant Mounts Available
- > Supported by uniview tec Guard Station Software and Guard Viewer Mobile App's for iPhone and Android Devices

Specifications

| Camera | |
|---|---|
| Sensor | 1/3", progressive scan , 4 megapixel, CMOS |
| Lens | 4.0mm @ F1.6 |
| Angle of View (H x V) | 83.7° x 44.9° |
| Shutter | Auto/Manual, 1 ~1/100000 s |
| Minimum Illumination | Color: 0.003 Lux (F1.6, AGC ON); 0 Lux with IR |
| Day/Night | IR-cut filter with auto switch (ICR) |
| Digital noise reduction | 2D/3D DNR |
| IR LED Range | Up to 30m (98 ft) IR range |
| WDR | 120dB |
| Video Compression | H.265, H.264, MJPEG |
| H.264 code profile | Baseline profile, Main Profile, High Profile |
| Maximum Frame Rate / Stream | Main: 4MP (2688 x 1520) @ 25fps Sub: 720P (1280 x 720) @ 30fps |
| HLC, BLC, Defog, Flip, 9:16 Corridor | Supported |
| OSD, Privacy Mask, Motion Detection & ROI | Up to 8 areas |
| Network | |
| Protocols | IPv4, IGMP, ICMP, ARP, TCP, UDP, DHCP, RTP, RTSP, RTCP, RTMP, DNS, DDNS, NTP, FTP, UPnP, HTTP, HTTPS, SMTP, SSL, 802.1x, SNMP |
| Compatible Integration | ONVIF (Profile S, G, T), API |
| Network | RJ45, 10M/100M Base-TX Ethernet |
| Behavior Video Analytics | Ultra Motion Detection, Cross Line, Intrusion, Motion; Tampering |
| Local and Network Storage | Micro-SD, up to 256GB / Automatic Network Replenishment (ANR) |
| General | |
| Power | 12VDC +/- 25%, PoE (IEEE802.3 af); Power consumption: Max 5.5W |
| Dimensions (Ø x H) & Weight | Ø109 x 81 mm (Ø4.3" x 3.2"); 0.35kg (0.77lb) |
| Operating Temperature & Humidity | -30°C ~ +60°C (-22°F ~ 140°F); Humidity: 10%~95% RH (non-condensing) |
| Conformity Certifications | IP67, IK10; CE, FCC |

Dimensions



Accessories

See Camera Accessories Guide