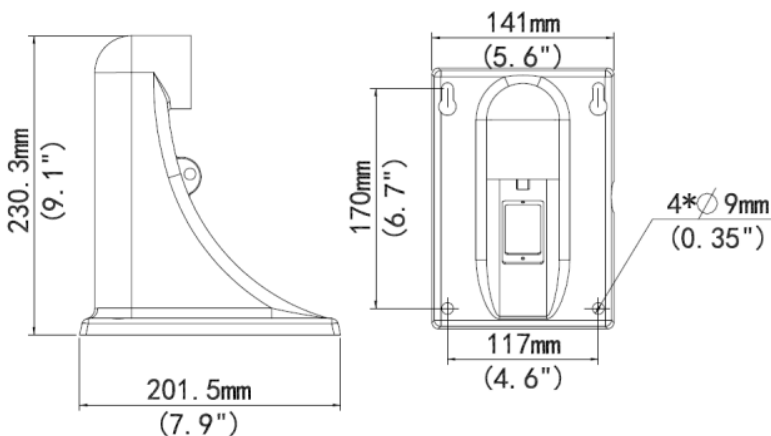


## PTZ Dome Wall Mount



## TR-WE45-IN

Specification	Description
Application	Indoor or outdoor, wall installation for PTZ dome camera
Dimensions(L × W × H)	230.3mmx141mmx201.5mm (9.1"x5.6"x7.9")
Weight	0.79kg(1.74lb)
Material	Aluminum alloy



[www.univiewtechnology.com](http://www.univiewtechnology.com)