

## **4MP, Wise-ISP, WDR, AI, BULLET**



### *Fixed Lens Bullet*

## **IPB4WI28AIX**

- > Fully Adheres to National Defense Authorization Act (NDA) Guidelines
- > Wise-ISP Technology ensures ultra-high color image up to 0.0003 Lux
- > Exceptional Video Quality with 4MP, 2560 x 1440 Resolution
- > H.265 Video Compression for Drastically Reduced Bandwidth and Storage Requirements
- > Powerful White Light Operation up to 131 Feet
- > 2.8mm Fixed Lens; ONVIF Profile S Compliant
- > Exceptional Night Time Color Image and WDR functionality
- > Triple Video Streams, Built-in mic, Smart Illumination, Digital Defog and 3D DNR
- > Intelligent, smart intrusion prevention technology for significantly reduced false alarms when focusing on humans and motor vehicles; people counting & color retrieval
- > PoE & 12VDC Power Options and Optional Wall and Pendant Mounts Available
- > Built-in Micro-SD Card Slot enables local storage up to 512GB
- > 3-Way Axis, CE and IP67 Weather Resistant
- > Supported by uniview tec Guard Station Software, as well as Guard Live and Guard Viewer Mobile App's for iPhone and Android Devices

[www.univiewtechnology.com](http://www.univiewtechnology.com)



UVT70650625-00

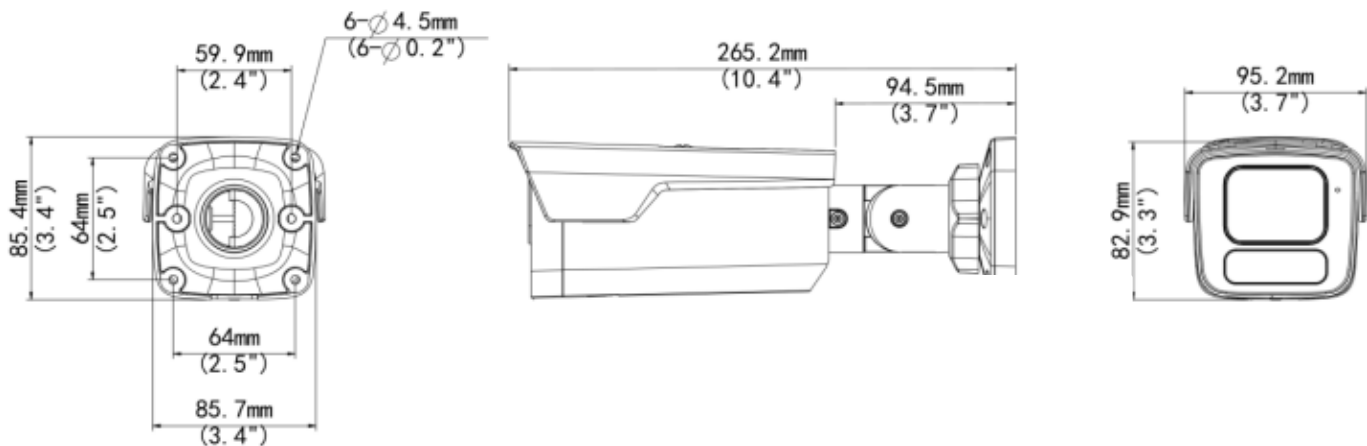
## Specifications

Camera	
Max Resolution	4MP
Sensor	1/1.8" CMOS
Min. Illumination	Color : 0.0003 lux (F1.0, AGC ON)
Shutter	Auto/Manual, 1 ~ 1/100000s
Adjustment Angle	Pan: 0° ~ 360°, Tilt: 0° ~ 90°, Rotate: 0° ~ 360°
S/N	>56dB
WDR	130dB
Lens	
Focal Length	2.8mm
Iris Type	Fixed
Iris	F1.0
Field of View (H)	110.4°
Field of View (V)	60.5°
Field of View (D)	115.2°
DORI	
DORI Distance(Detect)	43.4 m (142.5 ft)
DORI Distance(Observe)	17.4 m (57.0 ft)
DORI Distance(Recognize)	8.7 m (28.5 ft)
DORI Distance(Identify)	4.3 m (14.3 ft)
Illuminator	
Illumination Distance(Warm Light)	40m (131.2ft)
Light On/Off Control	Auto/Manual
Video	
Video Compression	H.265; H.264; MJPEG
H.264 Code Profile	Baseline profile, Main profile, High profile
Frame Rate	<u>Main Stream:</u> 4MP (2560*1440) @30fps; 1080P @30fps; 720P @30fps; D1 (720*576) @30fps; 640*360 @30fps; 2CIF (704*288) @30fps; CIF (352*288) @30fps; <u>Sub Stream:</u> 1080P @30fps; 720P @30fps; D1 (720*576) @30fps; 640*360 @30fps; 2CIF (704*288) @30fps; CIF (352*288) @30fps; <u>Third Stream:</u> D1 (720*576) @30fps; 640*360 @30fps; 2CIF (704*288) @30fps; CIF (352*288) @30fps;
Video Bit Rate	128 Kbps ~ 16 Mbps
U-code	Support
OSD; Privacy Mask	8 OSD; 4 Privacy Mask
ROI	Support
Video Stream	Triple Streams

<b>Image</b>	
White Balance	Auto; Outdoor; Fine Tune; Sodium Lamp; Locked; Auto2
Digital Noise Reduction	2D/3D DNR
Smart Illumination	Support
Flip	Normal; Flip Vertical; Flip Horizontal; 180°; 90°Clockwise; 90°Anti-clockwise
HLC	Support
BLC	Support
Defog	Digital Defog
<b>Intelligent</b>	
Smart Intrusion Prevention	Cross line detection, intrusion detection, enter area detection, leave area detection (support false alarm filtering and the classification of human, non-motor vehicle and vehicle)
People Counting	Support people flow counting and crowd density monitoring
Attribute Collection	SIP with color retrieval
<b>Events</b>	
Basic Detection	Motion Detection; Ultra Motion Detection; Tampering Alarm; Audio Detection; Object Removed; Object Left Behind
General Function	Watermark; IP Address Filtering; Access Policy; ARP Protection; RTSP Authentication; User Authentication; HTTP Authentication, Alarm input, Alarm output
<b>Audio</b>	
Audio Compression	G.711U; G.711A
Audio Bitrate	64 Kbps
Two-way Audio	Support
Suppression	Support
Sampling Rate	8KHZ
<b>Storage</b>	
Edge Storage	Micro SD, up to 512 GB
Network Storage	ANR; NAS (NFS)
<b>Network</b>	
Protocols	IPv4; IPv6; IGMP; ICMP; ARP; TCP; UDP; DHCP; PPPoE; RTP; RTSP; RTCP; DNS; DDNS; NTP; FTP; UPnP; HTTP; HTTPS; SMTP; 802.1x; SNMP; QoS; RTMP; SSL/TLS
Compatible Integration	ONVIF (Profile S, Profile G, Profile T); API; SDK
User/Host	Up to 32 users, 3 user levels: administrator, common user and operator
Security	Password Protection; Strong Password; HTTPS Encryption; Export Operation Logs; Basic and digest authentication for RTSP; Digest authentication for HTTP; TLS 1.2; WSSE and digest authentication for ONVIF
Client	Guard Live, Guard Viewer, Guard Station
Web Browser	Plug-in required live view: IE 10 and above, Chrome 45 and above, Firefox 52 and above, Edge 79 and above; Plug-in free live view: Chrome 57.0 and above, Firefox 58.0 and above, Edge 16 and above
<b>Interface</b>	
Audio I/O	1 Input: impedance 35 kΩ, amplitude 2 V [p-p], 1 Output: impedance 600 Ω, amplitude 2 V [p-p]

Alarm I/O	1/1
Built-in Mic	Support
Network	1 x RJ45 10M/100M Base-TX Ethernet
<b>Certification</b>	
EMC	CE-EMC (EN 55032, EN 61000-3-3, EN IEC 61000-3-2, EN 55035) FCC (FCC 47 CFR part15 B)
Safety	CE LVD (EN 62368-1); UL/CUL (UL 62368-1, CAN/CSA C22.2 No. 62368-1); CB (IEC 62368-1)
Environment	CE-RoHS (2011/65/EU;(EU)2015/863); WEEE (2012/19/EU)
Protection	IP67 (IEC 60529); IK10 (IEC 62262)
<b>General</b>	
Power	DC 12V±25%, PoE (IEEE 802.3af); Power consumption: Max 4.5W
Power Interface	Ø 5.5mm coaxial power plug
Dimensions	265.2 × 95.2 × 82.9mm (10.4" × 3.7" × 3.3") (L x W x H)
Weight	0.89kg (1.96lb)
Material	Metal + Plastic
Environment	-30 °C ~ 60 °C (-22 °F ~ 140 °F), Humidity: ≤95% RH (non-condensing)
Surge Protection	4KV
Reset Button	Support

## Dimensions



## Accessories

See Camera Accessories Guide